

Mixing station 10 & 25



Directions for use
Gebrauchsanweisung
Mode d'emploi
Instrucciones de uso



Declaration of Conformity

Mixing Station

EN Declaration of Conformity

FR Déclaration de Conformité

ES Declaración de Conformidad

EL Δήλωση Συμμόρφωσης

SV Försäkran om överensstämmelse

DA Overensstemmelseserklæring

RU Декларация о соответствии

SL Izjava o skladnosti

SR Deklaracija o konformitetu

BG Декларация за съответствие

SK Prehlásenie o konformite

ET Vastavusdeklaratsioon

LV Paziņojums par atbilstību prasībām

DE Konformitätserklärung

IT Dichiarazione di Conformità

PT Declaração de Conformidade

NL Overeenkomstigheidsverklaring

FI Vaatimustenmukaisuusvakuutus

PL Deklaracja zgodności

HU Megfelelőségi nyilatkozat

HR Izjava o usklađenosti

RO Declarație de Conformitate

CS Prohlášení o shodě

TR Uygunluk Bildirgesi

LT Atitikties deklaracija

UK Свідчення про відповідність вимогам

Nilfisk FOOD
Blytækkervej 2
9000 Aalborg
Danmark

EN Declaration of Conformity

We Nilfisk FOOD, declare under our sole responsibility that the products Mixing Station. To which this declaration relates, are in conformity with these Council directives on the approximation of the laws of the EC member states:

- Machinery Directive (2006/42/EC).
- EN 60335-2-79 : 2012
- EMC Directive (2014/30/EU)
- EN 55014-1 : 2007
 - EN 55014-1 : 2015
 - EN 61000-3-2 : 2014
 - EN 61000-3-2 : 2013.

FR Déclaration de conformité

Nous, Nilfisk FOOD, déclarons sous notre seule responsabilité, que les produits Inspexx SD SD 119000354, auxquels se réfère cette déclaration, sont conformes aux Directives du Conseil concernant le rapprochement des législations des Etats membres CE relatives aux normes énoncées ci-dessous :

- Directive Machines (2006/42/EC).
- EN 60335-2-79 : 2012
- Directive Compatibilité Electromagnétique CEM (2014/30/EU)
- EN 55014-1 : 2007
 - EN 55014-1 : 2015
 - EN 61000-3-2 : 2014
- EN 61000-3-2 : 2013.

ES Declaración de conformidad

Nosotros, Nilfisk FOOD, declaramos bajo nuestra entera responsabilidad que los productos Mixing Station, a los cuales se refiere esta declaración, están conformes con las Directivas del Consejo en la aproximación de las leyes de los Estados Miembros del EM:

- Directiva de Maquinaria (2006/42/EC).
- EN 60335-2-79 : 2012
- Directiva EMC (2014/30/EU)
- EN 55014-1 : 2007
 - EN 55014-1 : 2015
 - EN 61000-3-2 : 2014
 - EN 61000-3-2 : 2013.

EL Δήλωση συμμόρφωσης

Εμείς, η Nilfisk FOOD, δηλώνουμε με αποκλειστικά δική μας ευθύνη ότι τα προϊόντα Mixing Station στα οποία αναφέρεται η παρούσα δήλωση, συμμορφώνονται με τις εξής Οδηγίες του Συμβουλίου περί προσέγγισης των νομοθεσιών των κρατών μελών της ΕΕ:

- Οδηγία για μηχανήματα (2006/42/EC).
- EN 60335-2-79 : 2012
- Οδηγία Ηλεκτρομαγνητικής Συμβατότητας (EMC) (2014/30/EU).
- EN 55014-1 : 2007
 - EN 55014-1 : 2015
 - EN 61000-3-2 : 2014
 - EN 61000-3-2 : 2013.

DE Konformitätserklärung

Wir, Nilfisk FOOD erklären in alleiniger Verantwortung, dass die Produkt Mixing Station, auf die sich diese Erklärung bezieht, mit den folgenden Richtlinien des Rates zur Angleichung der Rechtsvorschriften der EU-Mitgliedsstaaten übereinstimmen.

- Machinen Direktive (2006/42/EC).
- EN 60335-2-79 : 2012
- EMC Direktive (2014/30/EU)
- EN 55014-1 : 2007
 - EN 55014-1 : 2015
 - EN 61000-3-2 : 2014
 - EN 61000-3-2 : 2013.

IT Dichiarazione di conformità

Nilfisk FOOD dichiara sotto la sua esclusiva responsabilità che i prodotti Mixing Station, ai quali si riferisce questa dichiarazione, sono conformi alle seguenti direttive del Consiglio riguardanti il riavvicinamento delle legislazioni degli Stati membri CE:

- Direttiva Macchine (2006/42/EC).
- EN 60335-2-79 : 2012
- Direttiva EMC (2014/30/EU)
- EN 55014-1 : 2007
 - EN 55014-1 : 2015
 - EN 61000-3-2 : 2014
 - EN 61000-3-2 : 2013.

PT Declaração de Conformidade

A Nilfisk FOOD declara sob sua única responsabilidade que os produtos Mixing Station, aos quais diz respeito esta declaração, estão em conformidade com as seguintes Directivas do Conselho sobre a aproximação das legislações dos Estados Membros da CE:

- Directiva Máquinas (2006/42/EC).
- EN 60335-2-79 : 2012
- Directiva EMC (2014/30/EU)
- EN 55014-1 : 2007
 - EN 55014-1 : 2015
 - EN 61000-3-2 : 2014
 - EN 61000-3-2 : 2013

NL Verklaring van overeenstemming

Wij, Nilfisk FOOD, verklaren geheel onder eigen verantwoordelijkheid dat de producten Mixing Station waarop deze verklaring betrekking heeft, in overeenstemming zijn met de Richtlijnen van de Raad in zake de onderlinge aanpassing van de wetgeving van de EG Lidstaten betreffende:

- Machine Richtlijn (2006/42/E).
- EN 60335-2-79 : 2012
- EMC Richtlijn (2014/30/EU).
- EN 55014-1 : 2007
 - EN 55014-1 : 2015
 - EN 61000-3-2 : 2014
 - EN 61000-3-2 : 2013.

EN Declaration of Conformity

We Nilfisk FOOD, declare under our sole responsibility that the products Mixing Station. To which this declaration relates, are in conformity with these Council directives on the approximation of the laws of the EC member states:

Machinery Directive (2006/42/EC).

- EN 60335-2-79 : 2012

EMC Directive (2014/30/EU)

- EN 55014-1 : 2007

- EN 55014-1 : 2015

- EN 61000-3-2 : 2014

- EN 61000-3-2 : 2013.

FR Déclaration de conformité

Nous, Nilfisk FOOD, déclarons sous notre seule responsabilité, que les produits Mixing Station, auxquels se réfère cette déclaration, sont conformes aux Directives du Conseil concernant le rapprochement des législations des Etats membres CE relatives aux normes énoncées ci-dessous :

Directive Machines (2006/42/EC).

- EN 60335-2-79 : 2012

Directive Compatibilité Electromagnétique CEM (2014/30/EU)

- EN 55014-1 : 2007

- EN 55014-1 : 2015

- EN 61000-3-2 : 2014

EN 61000-3-2 : 2013.

ES Declaración de conformidad

Nosotros, Nilfisk FOOD, declaramos bajo nuestra entera responsabilidad que los productos Mixing Station, a los cuales se refiere esta declaración, están conformes con las Directivas del Consejo en la aproximación de las leyes de los Estados Miembros del EM:

Directiva de Maquinaria (2006/42/EC).

- EN 60335-2-79 : 2012

Directiva EMC (2014/30/EU)

- EN 55014-1 : 2007

- EN 55014-1 : 2015

- EN 61000-3-2 : 2014

EN 61000-3-2 : 2013.

EL Δήλωση συμμόρφωσης

Εμείς, η Nilfisk FOOD, δηλώνουμε με αποκλειστικά δική μας ευθύνη ότι τα προϊόντα Mixing Station στα οποία αναφέρεται η παρούσα δήλωση, συμμορφώνονται με τις εξής Οδηγίες του Συμβουλίου περί προσέγγισης των νομοθεσιών των κρατών μελών της ΕΕ:

Οδηγία για μηχανήματα (2006/42/EC).

- EN 60335-2-79 : 2012

Οδηγία Ηλεκτρομαγνητικής Συμβατότητας (EMC) (2014/30/EU).

- EN 55014-1 : 2007

- EN 55014-1 : 2015

- EN 61000-3-2 : 2014

EN 61000-3-2 : 2013.

DE Konformitätserklärung

We Nilfisk FOOD, declare under our sole responsibility that the products Mixing Station. To which this declaration relates, are in conformity with these Council directives on the approximation of the laws of the EC member states:

Machinery Directive (2006/42/EC).

- EN 60335-2-79 : 2012

EMC Directive (2014/30/EU)

- EN 55014-1 : 2007

- EN 55014-1 : 2015

- EN 61000-3-2 : 2014

EN 61000-3-2 : 2013.

IT Dichiarazione di conformità

Nilfisk FOOD dichiara sotto la sua esclusiva responsabilità che i prodotti Mixing Station, ai quali si riferisce questa dichiarazione, sono conformi alle seguenti direttive del Consiglio riguardanti il riavvicinamento delle legislazioni degli Stati membri CE:

Direttiva Macchine (2006/42/EC).

- EN 60335-2-79 : 2012

Direttiva EMC (2014/30/EU)

- EN 55014-1 : 2007

- EN 55014-1 : 2015

- EN 61000-3-2 : 2014

EN 61000-3-2 : 2013.

PT Declaração de Conformidade

A Nilfisk FOOD declara sob sua única responsabilidade que os produtos Mixing Station, aos quais diz respeito esta declaração, estão em conformidade com as seguintes Directivas do Conselho sobre a aproximação das legislações dos Estados Membros da CE:

Directiva Máquinas (2006/42/EC).

- EN 60335-2-79 : 2012

Directiva EMC (2014/30/EU)

- EN 55014-1 : 2007

- EN 55014-1 : 2015

- EN 61000-3-2 : 2014

EN 61000-3-2 : 2013.

NL Verklaring van overeenstemming

Wij, Nilfisk FOOD, verklaren geheel onder eigen verantwoordelijkheid dat de producten Mixing Station waarop deze verklaring betrekking heeft, in overeenstemming zijn met de Richtlijnen van de Raad in zake de onderlinge aanpassing van de wetgeving van de EG Lidstaten betreffende:

Machine Richtlijn (2006/42/E).

- EN 60335-2-79 : 2012

EMC Richtlijn (2014/30/EU).

- EN 55014-1 : 2007

- EN 55014-1 : 2015

- EN 61000-3-2 : 2014

EN 61000-3-2 : 2013.

SR Deklaracija o konformitetu

Mi, Nilfisk FOOD, izjavljujemo pod vlastitom odgovornošću da je proizvod Mixing Station na koji se ova izjava odnosi, u skladu sa direktivama, Saveta za usklađivanje zakona država članica EU: Direktiva za mašine (2006/42/EC).

- EN 60335-2-79 : 2012

EMC direktiva (2014/30/EU).

- EN 55014-1 : 2007

- EN 55014-1 : 2015

- EN 61000-3-2 : 2014

- EN 61000-3-2 : 2013.

RO Declarație de conformitate

Noi, Nilfisk FOOD, declarăm pe propria răspundere că produsele Mixing Station la care se referă această declarație, sunt în conformitate cu aceste Directive de Consiliu asupra armonizării legilor Statelor Membre CE:

Directiva Utilaje (2006/42/CE).

- EN 60335-2-79 : 2012

Directiva EMC (2014/30/EU)

- EN 55014-1 : 2007

- EN 55014-1 : 2015

- EN 61000-3-2 : 2014

- EN 61000-3-2 : 2013.

BG Декларация за съответствие

Ние, фирма Nilfisk FOOD, заявяваме с пълна отговорност, че продуктите Mixing Station, за които се отнася настоящата декларация, отговарят на следните указания на Съвета за уеднаквяване на правните разпоредби на държавите членки на ЕС:

Директива за машините (2006/42/EC).

- EN 60335-2-79 : 2012

Директива за електромагнитна съвместимост (2014/30/ EU).

- EN 55014-1 : 2007

- EN 55014-1 : 2015

- EN 61000-3-2 : 2014

- EN 61000-3-2 : 2013.

CS Prohlášení o shodě

My firma Nilfisk FOOD prohlašujeme na svou plnou odpovědnost, že výrobky Mixing Station, na něž se toto prohlášení vztahuje, jsou v souladu s ustanoveními směrnice Rady pro sblížení právních předpisů členských států Evropského společenství v oblastech:

Směrnice pro strojní zařízení (2006/42/ES).

- EN 60335-2-79 : 2012

Směrnice pro elektromagnetickou kompatibilitu (EMC) (2014/30/EU)

- EN 55014-1 : 2007

- EN 55014-1 : 2015

- EN 61000-3-2 : 2014

- EN 61000-3-2 : 2013.

SK Prehlásenie o zhode

My firma Nilfisk FOOD prehlasujeme na svoju plnú zodpovednosť, že výrobky Mixing Station, na ktoré sa toto prehlásenie vzťahuje, sú v súlade s ustanovením smernice Rady pre zblíženie právnych predpisov členských štátov Európskeho spoločenstva v oblastiach: Smernica pre strojové zariadenie (2006/42/EC).

- EN 60335-2-79 : 2012

Smernica pre elektromagnetickú kompatibilitu (2014/30/EU).

- EN 55014-1 : 2007

- EN 55014-1 : 2015

- EN 61000-3-2 : 2014

- EN 61000-3-2 : 2013.

TR Uygunluk Beyanı

Nilfisk FOOD olarak bu beyannameye konu olan Mixing Station, ürünlerinin, AB Üyesi Ülkelerin kanunlarını birbirine yaklaştırmaya üzerine Konsey Direktifleriyle uyumlu olduğunu yalnızca bizim sorumluluğumuz altında olduğunu beyan ederiz:

Makineler Yönetmeliği (2006/42/EC).

- EN 60335-2-79 : 2012

EMC Direktifi (2014/30/ EU).

- EN 55014-1 : 2007

- EN 55014-1 : 2015

- EN 61000-3-2 : 2014

- EN 61000-3-2 : 2013.

ET Vastavusdeklaratsioon

Meie, Nilfisk FOOD, deklareerime enda ainuvastutusel, et tooted Mixing Station, mille kohta käesolev juhend käib, on vastavuses EÜ Nõukogu direktiividega EMÜ liikmesriikide seaduste ühitamise kohta, mis käsitlevad:

Masinate ohutus (2006/42/EC).

- EN 60335-2-79 : 2012

Elektromagnetilise ühilduvus (EMC direktiiv) (2014/30/ EU).

- EN 55014-1 : 2007

- EN 55014-1 : 2015

- EN 61000-3-2 : 2014

- EN 61000-3-2 : 2013.

LT Atitikties deklaracija

Компанія Nilfisk FOOD заявляє про свою виключну відповідальність за те, що продукти Mixing Station, на які поширюється дана декларація, відповідають таким рекомендаціям Ради з уніфікації правових норм країн -членів ЕС:

Механічні прилади (2006/42/EC).

- EN 60335-2-79 : 2012

Електромагнітна сумісність (2014/30/ EU).

- EN 55014-1 : 2007

- EN 55014-1 : 2015

- EN 61000-3-2 : 2014

- EN 61000-3-2 : 2013.

LV Atbilstības deklarācija

Sabiedrība NILFISK FOOD ar pilnu atbildību dara zināmu, ka produkti Mixing Station, uz kuriem attiecas šis paziņojums, atbilst šādām Padomes direktīvām par tuvināšanos EK dalībvalstu likumdošanas normām:

Mašīnbūves direktīva (2006/42/EK).

- EN 60335-2-79 : 2012

Elektromagnētiskās saderības direktīva (2014/30/EU).

- EN 55014-1 : 2007

- EN 55014-1 : 2015

- EN 61000-3-2 : 2014

- EN 61000-3-2 : 2013.

UK Свідчення про відповідність

ВИМОГАМ

Компанія Nilfisk FOOD заявляє про свою виключну відповідальність за те, що продукти Mixing Station, на які поширюється дана декларація, відповідають таким рекомендаціям Ради з уніфікації правових норм країн -членів ЕС:

Механічні прилади (2006/42/EC).

- EN 60335-2-79 : 2012

Електромагнітна сумісність (2014/30/EU).

- EN 55014-1 : 2007

- EN 55014-1 : 2015

- EN 61000-3-2 : 2014

- EN 61000-3-2 : 2013.

Technical file responsible:

Flemming Asp

Nilfisk Food

Blytaekkervej 2

9000 Aalborg, Denmark

Signature:



Flemming Asp

R & D Manager

Aalborg d. 20-05-2019

1. Contents

1.	Contents	9
2.	Symbols used in this document	10
3.	General information	11
	3.1. Identification Plate	11
	3.2. Supplier	11
	3.3. Specifications	12
4.	Use	13
	4.1. Foreseen use	13
	4.2. Unforeseen Use	13
5.	Installation	13
	5.1. Directions for mounting of the Mixing Station	13
	5.2. Water connection	13
	5.3. Bleeding the pump	13
6.	Operation	14
	6.1. Daily operation	14
7.	Safety Instructions	14
8.	Installation	14
	8.1. Mounting of Mixing Station	14
	8.2. Adjusting of inlet valve	14
9.	Settings	14
	9.1. Setting before use	14
10.	Guide Mixing Station	15
11.	Maintenance	19
	11.1. Instructions	19
	11.2. Maintenance kits	19
12.	Service kits	20
13.	Warranty	21
14.	End of Use	21
	14.1. Dismounting	21
	14.2. Disposal	21
	Sparepart list	61

2. Symbols used in this document

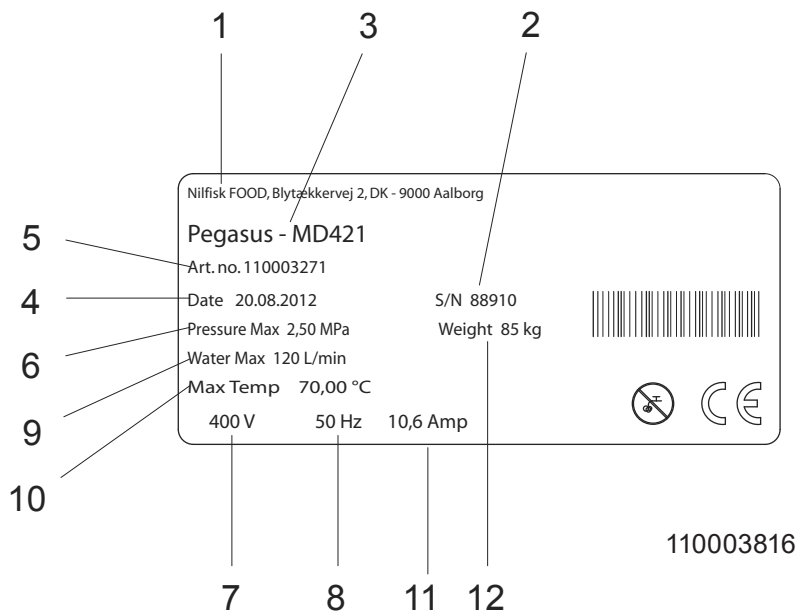
	Read before use
	Wear glasses when using the unit.
	Wear gloves and suitable clothing when using the unit.
	<p>Note: A potentially damaging situation. Possible consequences: The product or something in its vicinity could be damaged. Prevention.</p>
	<p>Caution: A dangerous situation. Possible consequences: light or minor injuries. Can also be used to warn against damage to property or other goods prevention.</p>
	<p>Warning: A Potentially dangerous situation. Possible consequences: Death or severe injury.</p>
	<p>Danger: A dangerous situation. Possible consequences: Death or severe injury.</p>
	<p>Danger: Risc of electric shock! Possible consequences: Death or severe injury.</p>
	<p>Danger: Warning! Sharp edges – watch your fingers.</p>
	<p>Hot Surfaces Risc of burns! Possible consequences: Severe injuries.</p>

3. General information

The Mixing Station unit is used for mixing and distribution of pre-diluted detergent for cleaning stations or other types of outlets. Water and detergent are mixed by a dosing pump and stored in a tank.

It is very important that the operational staff reads this user guide thoroughly prior to installation and start of operation. Operation as laid down in the directions for use will ensure an optimum level of hygiene in your factory and a minimum level of repair work.

3.1. Identification Plate



1. Producer
2. Serial no
3. Type
4. Date of production
5. Article no
6. Maximum pressure
7. Supply voltage
8. Frequency
9. Maximum water consumption
10. Maximum temperature
11. Current
12. Weight

3.2. Supplier

Nilfisk FOOD
 Blytækkervej 2
 DK-9000 Aalborg, Denmark
 Tel.: +45 7218 2000
 CVR no. 6257 2213
 www.nilfiskfood.com

3.3. Specifications

Technical Data		
	Mix 10	Mix 25
Connection type inlet	ISO 228/1-F 11/2" female	ISO 228/1-F 11/2" female
Connection type outlet	ISO 228/1-F 11/4" female	ISO 228/1-F 11/2" female
Water flow inlet	Min. 60 l/min	Min. 150 l/min
Pre-diluted flow outlet (max)	50 l/min	140 l/min
Tank capacity	200 l	200 l
Pump pressure (set point)	8 bar	8 bar
Operational pressure (max)	13 bar	13 bar
Max. water temperature	40°C	40°C
Connection type inlet	Ø6 mm push in	Ø6 mm push in
Min. pressure of air supply	2 bar	2 bar
Max. pressure of air supply	8 bar	8 bar
Required flow rate	100 NI/min	100 NI/min
Power consumption	4,0 kW	4,0 kW
Nom. current	7,6-6,1 A	7,6-6,1 A
Supply	3/PE 380-500V 50/60Hz	3/PE 380-500V 50/60Hz
Security of electrical wiring	16A	16A
Electrical cable: L1, L2, L3, PE	4x2,5 mm ²	4x2,5 mm ²
Number of products	1	1
IP class	IP55	IP55
Sound level ISO 11202	Below 70 dB	Below 70 dB
Weight	97 kg (empty)	100 kg (empty)
Dimensions W x H x D	1500x1300x600	1500x1300x600

4. Use

4.1. Foreseen use

The mixing stations are used for mixing and delivery of pre-diluted detergent for cleaning stations or other types of outlets. Water and detergent are mixed by a dosing pump.

It is very important that the operational staff reads this user guide thoroughly prior to installation and start of operation. Operation as laid down in the directions for use will ensure an optimum level of hygiene in your factory and a minimum level of repair work.

4.2. Unforeseen Use

The unit must only be used for mixing of water and detergents for use in professional cleaning stations - all other use will be considered unforeseen use!

5. Installation

5.1. Directions for mounting of the Mixing Station



ATTENTION

1. The unit should be mounted in frost free rooms only.
2. The unit is leveled by adjusting the feet. When the unit is leveled the lock nuts on the feet are to be tightened thoroughly.
3. The unit is fastened to the floor using a bolt through the hole on each foot. It is sufficient to fasten the feet in the corners.

5.2. Water connection



CAUTION

1. The unit must only be installed by skilled personell in this case Ecolab.
2. Before the station is connected to the water supply pipe, the supply line should be rinsed carefully in order to remove coarse impurities and metal shavings.
3. The pressure loss in the supply line should be held as low as possible by:
 - avoid long supply pipes
 - mounting of low pressure resistance ball valves and
 - avoiding fittings with high pressure loss
4. When installing the piping, take care to avoid air traps.
5. Max. supply water temperature: 40°C
Min. water supply Mixing Station: 120 l/min
Max. allowed inlet water pressure: 7 bar

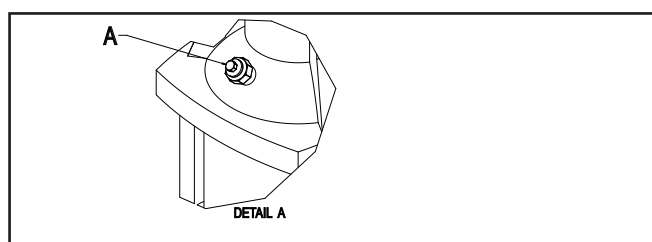
5.3. Bleeding the pump



WARNING

Never start up the supply pump before the pump has been bled.

When the unit has been mounted and water has been connected to the inlet side, the pump must be bled. This is done by opening the bleeding screw in the top of the pump. Operate the valve for the dosing pump and fill the tank with water and bled the supply pump. The pump must be bled until only water comes out of the pump.



6. Operation

When delivered the unit is pre-set for use. For the Mixing Station this means that the tank will be automatically refilled and the pump will start up when flow appears in one or more outlets. Further, the pump will stop when the flow ends.

Via a signal from a pressure transmitter the pump starts and stops. When pressure in the pipes are decreasing the pump starts up. And when the pressure is increasing the pump will stop.

Concentration of detergent is to be adjusted directly on the dosing pump. Below see illustration no 110006237_1.

6.1. Daily operation

When adjusted according to the above descriptions the unit runs automatically. This means that the tank is automatically refilled and the pump, during flow in one or more outlets, is in operation.

Before using the outlet always connect a disinfection nozzle or foam nozzle to the pistol/low pressure valve.

Only seconds after opening of the pistol/low pressure valve the pump starts up and a working pressure automatically appears.

7. Safety Instructions

Repairs must only be carried out when the water supply has been disconnected.



Attention:

Maintenance is only to be carried out by authorized personnel.

8. Installation

8.1. Mounting of Mixing Station



Attention:

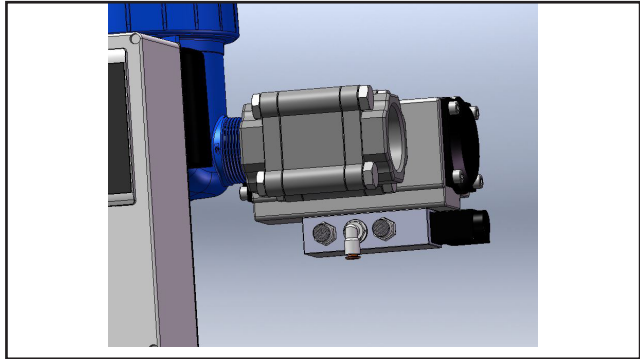
- The unit should be mounted in frost free rooms only.
- The unit is leveled by adjusting the feet. When the unit is leveled the lock nuts on the feet are to be tightened thoroughly.
- The unit is fastened to the floor using a bolt through the hole on each foot. It is sufficient to fasten the feet in the corners.
- Always use a forklift

8.2. Adjusting of inlet valve

Adjusting of closing time on pneumatic inlet valve

The pneumatic exhaust silencer can be adjusted to make the ball valve close faster or slower. If there is a lot of hammering in the pipes or if the customer wants the valve to close faster, an idea is to adjust the valve by adjusting the exhaust silencer, by screwing either clockwise (slower) or counter clockwise (faster).

Please see illustration below.



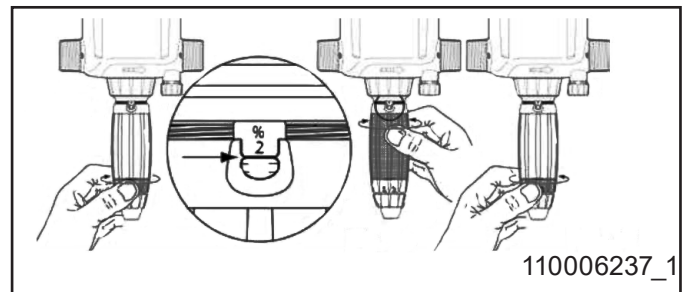
9. Settings

9.1. Setting before use

When delivered the unit is pre-set for use. For the Mixing Station this means that the tank will be automatically refilled and that the pump will start up when flow appears in one or more outlets. Further, the pump will stop when the flow ends.

Via a signal from the pressure transmitter the pump starts up and stops running when pressure is building up.

Concentration of detergent is to be adjusted directly on the inlet of the dosing pump. For further data and service on the dosing pump please also see data sheet and manual for the dosing pump.



Use no tool or metallic utensils.

Adjustment must be made when there is no pressure in the Dosatron.

- Turn off the water supply and allow the pressure to drop to zero.
- Unscrew the retaining ring (picture at the left).
- Screw or unscrew the adjusting nut in order to line up the 2 peaks of the eyelet with the desired ratio on the scale (picture in ring).
- Tighten the blocking ring (picture at the right).

10. Guide Mixing Station

MIX unit is running



Pic. 1

MIX unit in stand-by



Pic. 2

MIX unit pump alarm (unit is stopped)



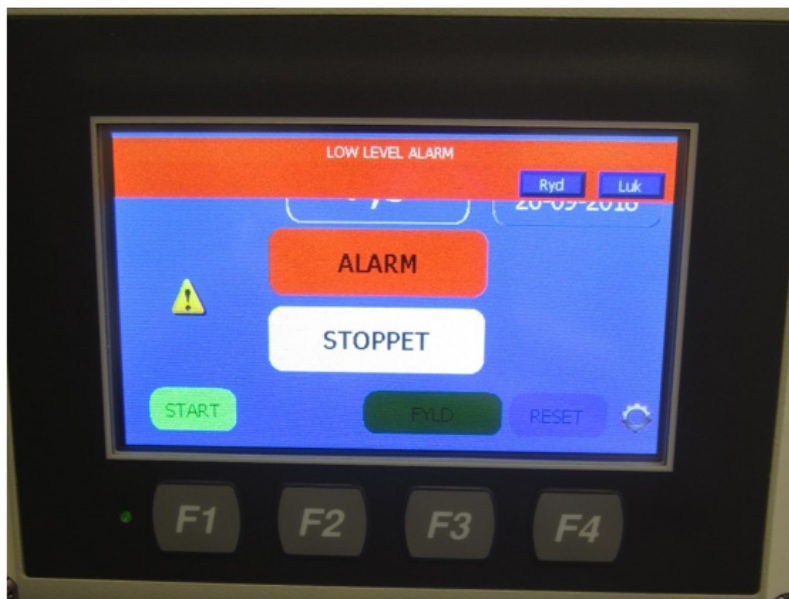
Red line indicates pump alarm, will disappear when the alarm is acknowledged (Reset = F4). After that fig. 2 will appear.

MIX unit high level alarm (unit is running)



Acknowledge the alarm. Press START = F1, the unit returns to Fig. 1.

MIX unit Low level alarm (unit is stopping)



Pic. 5

Unit is stopped. Press F3 to manually fill the tank. Press F4 to reset. When level in tank is above Low Level Alarm the unit can be started.

MIX unit temperature alarm (unit is stopping)



Pic. 6

Unit is stopped. When the temperature in the pump top has fallen to below 80°C the unit can be started again. Press F4 to reset and press F1 for start. The alarm will disappear.

MIX unit Low level chemicals (only a warning)



Abb. 7

This is only a warning, the container/pallet with chemicals is almost empty.

MIX unit empty chemicals (only an alarm)

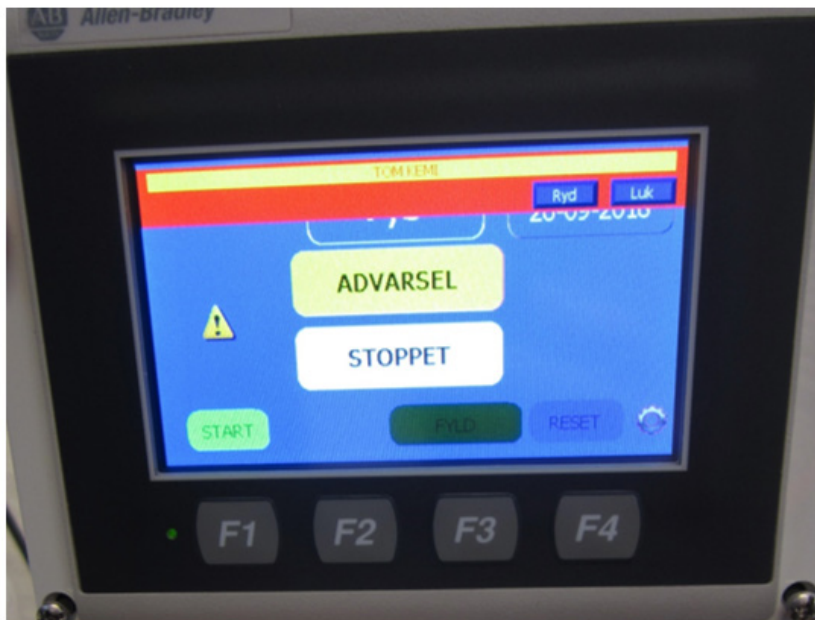


Abb. 8

The water valve will be closing. It is no longer possible to fill up the pre-diluted tank. This warning will not stop the unit, but when the level in the pre-diluted tank reaches Low Level Alarm, the unit will stop

11. Maintenance

11.1. Instructions

a) After one month of use the Mixing station must be maintained by a service engineer. The functionality and any possible errors should be maintained. Furthermore, the unit must be checked for leaks.

The above maintenance should be carried out minimum every third month. If required the interval might be shorter.

b) Depending on usage, at least once a year maintenance should be undertaken by an authorized service engineer in order to prevent defects and failure of operation. Authorized engineers are persons who due to their skills and experience have sufficient knowledge of the unit in question and are confident with the state work safety regulations, accident preventing regulations, lines and generally acknowledged technical regulations such as DIN-norms and VDE provisions. For your safety this cleaning unit has been manufactured according to all relevant regulations valid in the EU and it has therefore been fitted with the CE marking.

11.2. Maintenance kits

The dosing pumps have some moving parts and in the combination with different detergents these parts have to be changed during time and use. It is recommended to make service at these pumps due to working conditions to keep these in function. O-ring in motor part and or in dosing part should be changed during service. There is for these pumps one o-ring kit for the motor part and two kits for the dosing part – depending on the detergent – AF or VF material.

Mix 25 1-5%

Item no.

110003617

Description

Service kit for dosing pump Alkaline AF products D8RE5

Item no

110003618

Description

Service kit for dosing pump Acid VF products D8RE5

Item no

110003619

Description

O-ring kit motor parts for D8RE

Mix 25 0,2-2%

Item no.

110006624

Description

Service kit for dosing pump Alkaline AF products D8RE2

Item no

110006625

Description

Service kit for dosing pump Acid VF products D8RE2

Item no

110003619

Description

O-ring kit motor parts for D8RE

Mix10 1-5%

Item no.

110006773

Description

Service kit for dosing pump Alkaline AF products D3RE5

Item no

110006774

Description

Service kit for dosing pump Acid VF products D3RE5

Item no

110006775

Description

O-ring kit motor parts for D3RE5

Item no

110006776

Description

O-ring kit motor parts for D3RE5

Mix10 0,2-2%

Item no.

110006771

Description

Service kit for dosing pump Alkaline AF products D3RE2

Item no

110006772

Description

Service kit for dosing pump Acid VF products D3RE2

Item no

110006775

Description

O-ring kit motor parts for D3RE2

Item no

110006776

Description

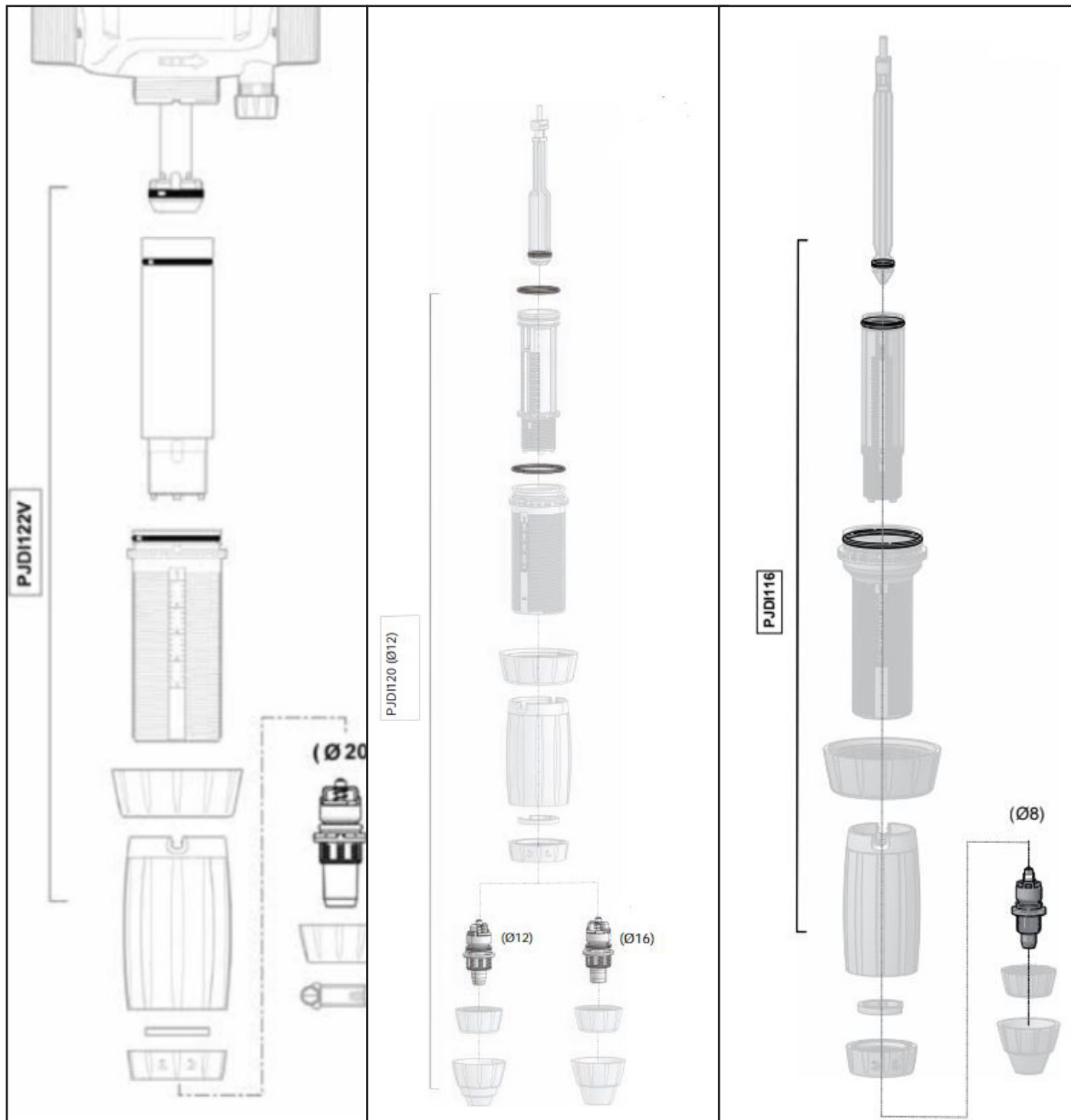
O-ring kit motor parts for D3RE2

12. Service kits

Mix 25

Mix 10 1-5%

Mix 10 0,2-2%



13. Warranty



ATTENTION

Our guarantee is given for a period of 12 months from delivery on all parts which have provably become unfit for use due to material, construction or manufacturing defects as well as inadequate work. The guarantee compensation will occur in the shape of reimbursement, replacement or repair of the defective or damaged part at our works. Installation and freight costs are always on the purchaser's account. Any defective parts are to be placed at our disposal. Claims that may otherwise be raised for any legal reason will not be acknowledged. No liability will be accepted for damage occurred indirectly. The purchaser has no right to let any third party repair possible defects on our account.

All hoses, rubber parts or synthetic materials natural wear and tear as well as damage caused by careless and inappropriate handling, including transport damage are not covered by the guarantee. Further, the guarantee does not apply if the system has been subjected to frost. The obligation of guarantee compensation also ceases if changes or repairs are made by non-authorized persons. Claims under the guarantee will only be acknowledged when they are placed immediately after the defect has been noticed. The guarantee ceases in case of change of ownership.

The dealer cannot be held responsible for personal injury, damage to equipment, working deficits, including production loss, loss of profits, loss of stock or the like which may occur by imperfect and delayed delivery of the sold product, regardless of the reason, including manufacturing and material defects. Please see our standard terms of sale and delivery.

14. End of Use



CAUTION

Disposal of electronic components and other remedies must be handled as special disposal when disposed. Alternatively, it can be disposed by a specialised disposal company.

14.1. Dismounting

Close all supply valves and remove the unit from wall.

14.2. Disposal

In case the unit should be disposed, it must be separated and sorted in recyclable and non-recyclable parts.

The steel construction is easily separated and disposed and constitutes no environmental risk - nor for the user. Disposal must be made according to rules and regulations in force for disposal of machines as well as all standards in connection with environmental protection.

1. Inhalt

1.	Inhalt	22
2.	Verwendete Symbole.....	23
3.	Allgemeine Informationen	24
3.1.	Typenschild.....	24
3.2.	Lieferant.....	24
3.3.	Spezifikationen	25
4.	Gebrauch	26
4.1.	Bestimmungsgemäßer Gebrauch.....	26
4.2.	Nicht bestimmungsgemäßer Gebrauch.....	26
5.	Installation	26
5.1.	Anweisungen zur Montage der Mischstation	26
5.2.	Wasseranschluss.....	26
5.3.	Entlüften der Pumpe	26
6.	Betrieb	26
6.1.	Täglicher Betrieb.....	26
7.	Sicherheitshinweise	27
8.	Installation	27
8.1.	Montage der Mischstation.....	27
8.2.	Einstellung des Eingangsventils	27
9.	Einstellungen	27
9.1.	Werkseinstellungen	27
10.	Anleitung Mischstation	28
11.	Wartung.....	32
11.1.	Anweisungen.....	32
11.2.	Wartungskits.....	32
12.	Servicekits	33
13.	Garantie	34
14.	Nach der Verwendung	34
14.1.	Demontage	34
14.2.	Entsorgung	34

Ersatzteilliste	61
-----------------------	----

2. Verwendete Symbole

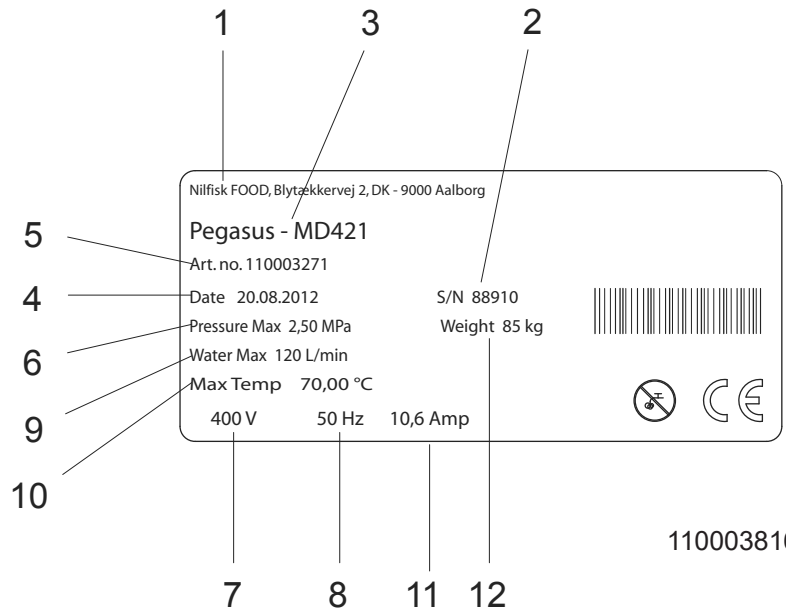
	<p>Vor Benutzung lesen</p>
	<p>Bitte tragen Sie bei der Bedienung der Anlage eine Brille.</p>
	<p>Bitte tragen Sie bei Benutzung der Anlage Handschuhe und passende Kleidung.</p>
	<p>Anmerkung: Eine potenziell gefährliche Situation. Mögliche Konsequenzen: Das Produkt oder ein Gegenstand in seiner Nähe könnte beschädigt sein. Prävention.</p>
	<p>Vorsicht: Eine gefährliche Situation. Mögliche Konsequenzen: Leichte oder geringfügige Verletzungen. Kann auch genutzt werden, um vor Sachbeschädigung oder vor Beschädigung anderer Güter zu warnen.</p>
	<p>Warnung: Eine potenziell gefährliche Situation. Mögliche Konsequenzen: Tod oder schwere Verletzungen.</p>
	<p>Gefahr: Eine gefährliche Situation. Mögliche Konsequenzen: Tod oder schwere Verletzungen.</p>
	<p>Gefahr: Gefahr eines Stromschlags! Mögliche Konsequenzen: Tod oder schwere Verletzungen.</p>
	<p>Gefahr: Achtung! Scharfe Kanten – achten Sie auf Ihre Finger.</p>
	<p>Heiße Oberflächen Verbrennungsgefahr! Mögliche Konsequenzen: Schwere Verletzungen.</p>

3. Allgemeine Informationen

Die Mischstation dient zum Mischen und Verteilen von vorgemischtem Reinigungsmittel für Reinigungsstationen oder andere angeschlossene Geräte. Wasser und Reinigungsmittel werden mittels einer Dosierpumpe gemischt und im Tank gelagert.

Es ist sehr wichtig, dass das Bedienpersonal diese Anleitung vor Installation und Inbetriebnahme gründlich durchliest. Der Betrieb wird wie in der Bedienungsanleitung beschrieben ein optimales Hygieneniveau in Ihrem Betrieb und ein Minimum an Reparaturarbeiten gewährleisten.

3.1. Typenschild



110003816

1. Hersteller
2. Seriennr.
3. Typ
4. Herstellungsdatum
5. Artikelnr.
6. Maximaler Druck
7. Versorgungsspannung
8. Frequenz
9. Maximaler Wasserverbrauch
10. Maximaltemperatur
11. Strom
12. Gewicht

3.2. Lieferant

Nilfisk FOOD
 Blytækkervej 2
 DK-9000 Aalborg, Dänemark
 Tel.: +45 7218 2000
 CVR-Nr. 6257 2213
www.nilfiskfood.com

3.3. Spezifikationen

Technical Data		
	Mix 10	Mix 25
Anschlusstyp Einlass	ISO 228/1-F 11/2" Buchse	ISO 228/1-F 11/2" Buchse
Anschlusstyp Auslass	ISO 228/1-F 11/4" Buchse	ISO 228/1-F 11/2" Buchse
Wasserdurchfluss Einlass	Min. 60 l/min	Min. 150 l/min
Vormischdurchfluss Auslass (max.)	50 l/min	140 l/min
Tankkapazität	200 l	200 l
Pumpendruck (set point)	8 bar	8 bar
Betriebsdruck (max)	13 bar	13 bar
Max. Wassertemperatur	40°C	40°C
Anschlusstyp Einlass	Ø6 mm Steckverschraubung	Ø6 mm Steckverschraubung
Mindestdruck der Luftzufuhr	2 bar	2 bar
Maximaldruck der Luftzufuhr	8 bar	8 bar
Erforderliche Durchflussrate	100 NI/min	100 NI/min
Leistungsaufnahme	4,0 kW	4,0 kW
Nennstrom	7,6-6,1 A	7,6-6,1 A
Versorgung	3/PE 380-500V 50/60Hz	3/PE 380-500V 50/60Hz
Sicherheit der elektrischen Anschlüsse	16A	16A
Stromkabel: L1, L2, L3, PE	4x2,5 mm ²	4x2,5 mm ²
Anzahl der Produkte	1	1
IP-Klasse	IP55	IP55
Schallpegel ISO 11202	Unter 70 dB	Unter 70 dB
Gewicht	97 kg (leer)	100 kg (leer)
Abmessungen B x H x T	1500x1300x600	1500x1300x600

4. Gebrauch

4.1. Bestimmungsgemäßer Gebrauch

Die Mischstationen dienen zum Mischen und Verteilen von vorgemischtem Reinigungsmittel für Reinigungsstationen oder andere angeschlossene Geräte. Wasser und Reinigungsmittel werden mittels einer Dosierpumpe gemischt.

Es ist sehr wichtig, dass das Bedienpersonal diese Anleitung vor Installation und Inbetriebnahme gründlich durchliest. Der Betrieb wird wie in der Bedienungsanleitung beschrieben ein optimales Hygieneniveau in Ihrem Betrieb und ein Minimum an Reparaturarbeiten gewährleisten.

4.2. Nicht bestimmungsgemäßer Gebrauch

Die Anlage darf nur zum Mischen von Wasser und Reinigungsmittel in Reinigungsstationen verwendet werden – jeder andere Gebrauch gilt als nicht bestimmungsgemäß!

5. Installation

5.1. Anweisungen zur Montage der Mischstation



ACHTUNG

1. Die Anlage darf nur in frostfreien Räumen montiert werden.
2. Die Anlage wird durch Verstellen der Füße ausgerichtet. Wenn die Anlage ausgerichtet wurde, werden die Kontermuttern an den Füßen sorgfältig angezogen.
3. Die Anlage wird mittels einer Schraube, die durch jedes Loch in jedem Fuß geführt wird, am Boden befestigt. Es ist ausreichend, die Füße an den Ecken zu befestigen.

5.2. Wasseranschluss



VORSICHT

1. Die Anlage darf nur von ausgebildetem Fachpersonal in diesem Fall Ecolab installiert werden.
2. Bevor die Station mit der Wasserzulaufleitung verbunden wird, sollte die Versorgungsleitung vorsichtig abgespült werden, um grobe Verunreinigungen und Metallspäne zu entfernen.
3. Der Druckverlust in der Versorgungsleitung sollte so niedrig wie möglich gehalten werden durch
 - das Vermeiden von langen Versorgungsleitungen,
 - die Montage von Niederdruck-Widerstands-Kugelventilen und
 - das Vermeiden von Armaturen mit hohem Druckverlust.

26

4. Wenn Sie die Rohrleitungen installieren, vermeiden Sie Lufteinschlüsse.
5. Max. Wassertemperatur: 40 °C
Min. Wasserzufuhr Mischstation: 120 l/min
Max. zulässiger Zulaufwasserdruck: 7 bar

5.3. Entlüften der Pumpe

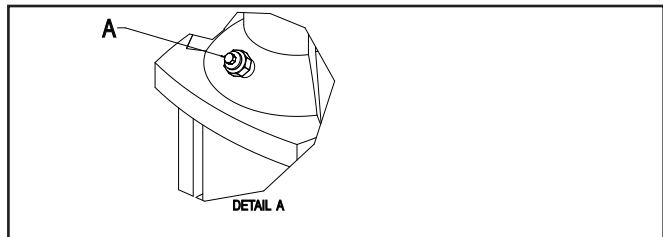


WARNUNG

Nehmen Sie die Versorgungspumpe niemals vor ihrer Entlüftung in Betrieb.

Wenn die Anlage montiert und Wasser an der Zulaufseite angeschlossen wurde, muss die Pumpe entlüftet werden.

Das erfolgt durch Öffnen der Entlüftungsschraube oben auf der Pumpe. Bedienen Sie das Ventil der Dosierpumpe, füllen Sie den Tank mit Wasser und entlüften Sie die Versorgungspumpe. Die Pumpe muss solange entlüftet werden, bis Wasser aus der Pumpe austritt.



6. Betrieb

Wenn die Anlage geliefert wird, ist sie für den Gebrauch voreingestellt (Werkseinstellungen). Für die Mischstation bedeutet das, dass der Tank automatisch gefüllt wird und die Pumpe den Betrieb aufnimmt, wenn an einem oder mehreren angeschlossenen Geräten Strömung festgestellt wird. Außerdem wird die Pumpe den Betrieb wieder einstellen, wenn die Strömung aufhört.

Durch ein Signal von einem Druckmessumformer startet und stoppt die Pumpe. Wenn der Druck in den Rohren abnimmt, startet die Pumpe den Betrieb. Und wenn der Druck zunimmt, stoppt die Pumpe den Betrieb.

Die Konzentration an Reinigungsmittel ist direkt an der Dosierpumpe zu verstellen. Siehe unten in Abb. 110006237_1.

6.1. Täglicher Betrieb

Wenn die Anlage gemäß der obigen Beschreibung eingestellt wurde, läuft sie automatisch. Das bedeutet, dass der Tank automatisch wiederbefüllt wird und die Pumpe bei Strömung in einem oder mehreren angeschlossenen Geräten in Betrieb ist.

Vor dem Gebrauch der angeschlossenen Geräte schließen Sie immer eine Desinfektionsdüse oder eine Schaumdüse an die Pistole bzw. das Niederdruckventil an.

Nur Sekunden nach dem Öffnen der Pistole bzw. des Niederdruckventils startet die Pumpe den Betrieb und ein Arbeitsdruck stellt sich automatisch ein.

7. Sicherheitshinweise

Reparaturen dürfen nur durchgeführt werden, wenn die Wasserversorgung getrennt wurde.



Achtung:
Die Wartung darf nur von autorisiertem Personal durchgeführt werden.

8. Installation

8.1. Montage der Mischstation



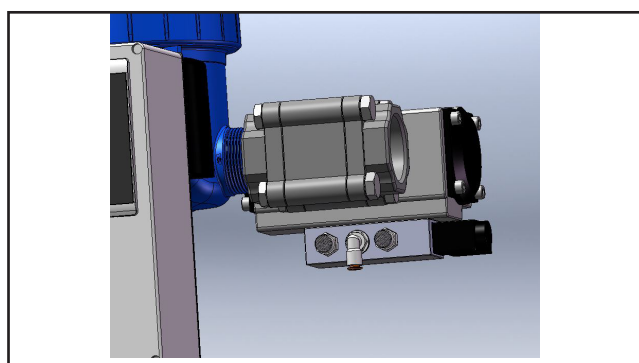
Achtung:

a) Die Anlage darf nur in frostfreien Räumen montiert werden.

b) Die Anlage wird durch Verstellen der Füße ausgerichtet. Wenn die Anlage ausgerichtet wurde, werden die Kontermuttern an den Füßen sorgfältig angezogen.

c) Die Anlage wird mittels einer Schraube, die durch jedes Loch in jedem Fuß geführt wird, am Boden befestigt. Es ist ausreichend, die Füße an den Ecken zu befestigen.

d) Immer einen Gabelstapler verwenden.



8.2. Einstellung des Eingangsventils

Einstellen der Schließzeit am pneumatischen Eingangsventil

Der pneumatische Schalldämpfer kann eingestellt werden, damit das Kugelventil schneller oder langsamer schließt. Wenn es in den Rohren viel Wasserschlag gibt oder wenn der Kunde möchte, dass das Ventil schneller schließt, besteht die Möglichkeit, das Ventil durch Einstellung des Schalldämpfers einzustellen, indem im Uhrzeigersinn (langsamer) oder gegen den Uhrzeigersinn (schneller) gedreht wird. Siehe Bitte Abbildung unten.

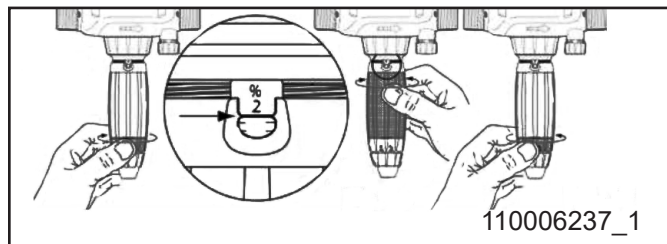
9. Einstellungen

9.1. Werkseinstellungen

Wenn die Anlage geliefert wird, ist sie für den Gebrauch voreingestellt (Werkseinstellungen). Für die Mischstation bedeutet das, dass der Tank automatisch gefüllt wird und die Pumpe den Betrieb aufnimmt, wenn an einem oder mehreren angeschlossenen Geräten Strömung festgestellt wird. Außerdem wird die Pumpe den Betrieb wieder einstellen, wenn die Strömung aufhört.

Durch ein Signal vom Druckmessumformer startet und stoppt die Pumpe den Betrieb, wenn sich Druck aufbaut.

Die Konzentration an Reinigungsmittel ist direkt am Eingang der Dosierpumpe zu verstellen. Weitere Daten und Angaben zum Service der Dosierpumpe entnehmen Sie bitte auch dem Datenblatt und der Anleitung der Dosierpumpe.



Kein Werkzeug oder metallische Gegenstände verwenden.

Einstellungen müssen vorgenommen werden, wenn sich im Dosatron kein Druck aufbaut.

- Schließen Sie die Wasserversorgung und erlauben Sie, den Druck auf 0 fallen zu lassen.
- Schrauben Sie den Haltering ab (Abb. links).
- Schrauben Sie die Einstellmutter fest oder ab, um die 2 Spitzen an der Öse mit den gewünschten Zahlen auf der Skala auszurichten (Bild im Ring).
- Schrauben Sie den Block ab (Bild am Ring).

10. Anleitung Mischstation

MIX Einheit läuft



MIX Einheit in Standby



MIX Einheit Pumpenalarm (Anlage hat angehalten)



Rote Linie zeigt Pumpenalarm; wird verschwinden, wenn der Alarm bestätigt wird (Zurücksetzen = F4). Danach wird Abb. 2 erscheinen.

MIX Einheit Alarm bei hohem Füllstand (Anlage läuft)



Den Alarm bestätigen. START drücken = F1, die Anlage kehrt zurück zu Abb. 1.

MIX Einheit Alarm bei niedrigem Füllstand (Anlage hält an)

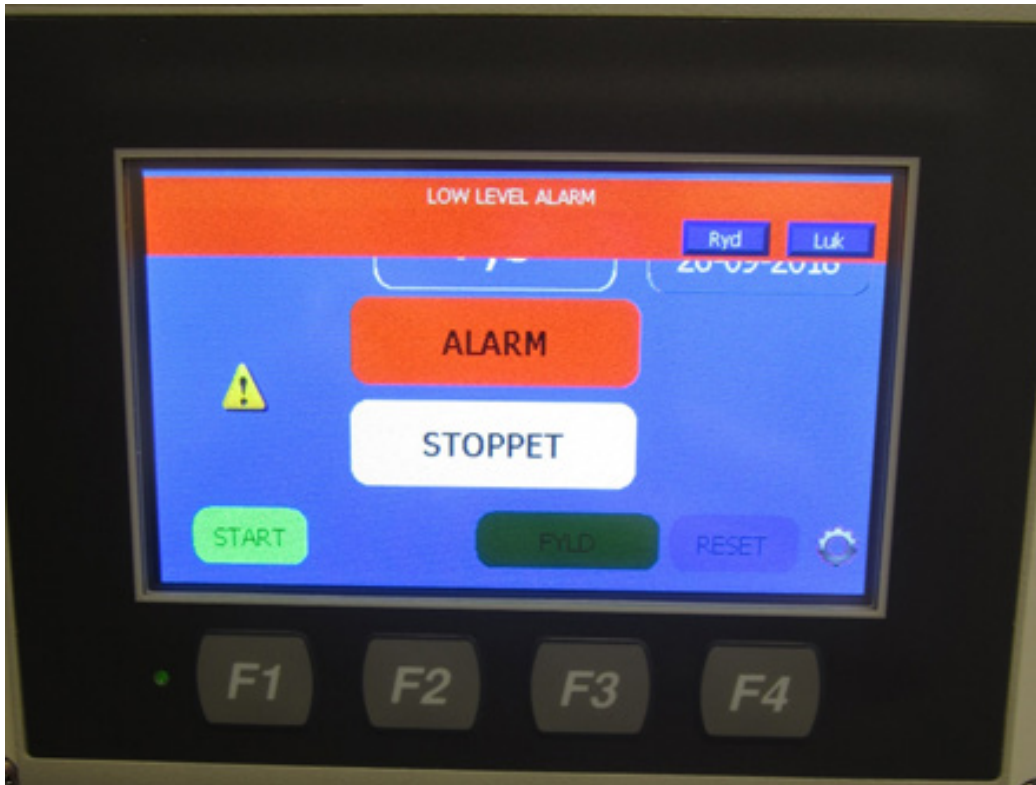


Abb. 5

Anlage hat angehalten. F3 drücken, um den Tank manuell zu füllen. F4 drücken, um zurückzusetzen. Wenn der Füllstand im Tank über dem Füllstand bei „Alarm bei niedrigem Füllstand“ liegt, dann kann die Anlage gestartet werden

MIX Einheit Temperaturalarm (Anlage hält an)



Abb. 6

Anlage hat angehalten. Wenn die Temperatur im oberen Bereich der Pumpe auf 80 °C gefallen ist, kann die Anlage erneut gestartet werden. F4 zum Zurücksetzen und F1 zum Starten drücken, dann wird der Alarm verschwinden.

MIX Einheit Niedriger Chemiefüllstand (nur eine Warnung)



Abb. 7

Das ist nur eine Warnung; der Behälter/die Palette mit Chemikalien ist fast leer.liegt, dann kann die Anlage gestartet werden

MIX Einheit Chemicalien leer (nur ein Alarm)

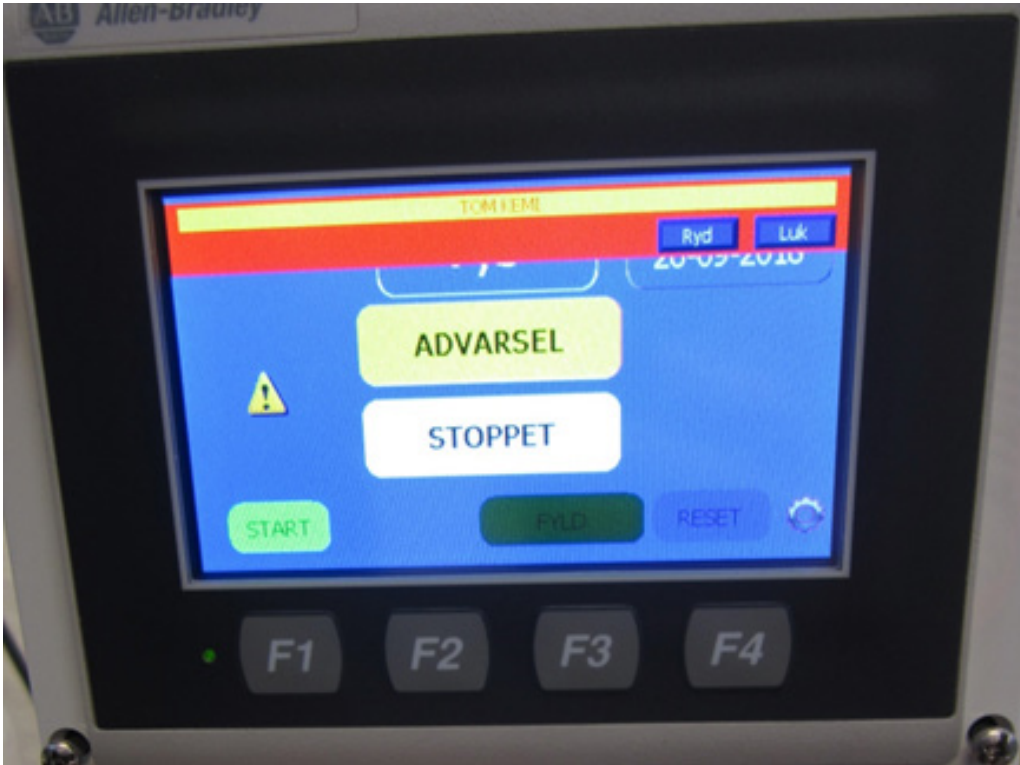


Abb. 8

Das Wasserventil wird schließen. Es ist nicht mehr möglich, den Vormischtank zu füllen. Diese Warnung wird die Anlage nicht anhalten, aber wenn der Füllstand im Vormischtank den Füllstand von „Alarm bei niedrigem Füllstand“ erreicht, wird die Anlage anhalten.

11. Wartung

11.1. Anweisungen

a) Nach einem Monat Gebrauch muss die Phoenix-Mischstation durch einen Servicetechniker gewartet werden. Die Funktionsfähigkeit sollte erhalten und mögliche Fehler behoben werden. Darüber hinaus muss die Anlage auf Undichtigkeiten überprüft werden.

Die obenstehende Wartung sollte jeden dritten Monat durchgeführt werden. Falls erforderlich, muss das Intervall kürzer sein.

b) Je nach Anwendung sollte die Wartung von einem autorisierten Servicetechniker mindestens einmal im Jahr vorgenommen werden, um Schäden und Betriebsausfälle zu vermeiden. Autorisierte Techniker sind Personen, die aufgrund ihrer Fähigkeiten und Erfahrungen hinreichende Kenntnisse über die fragliche Anlage besitzen und mit den staatlichen Arbeits- und Unfallverhütungsvorschriften, Richtlinien und allgemein anerkannten technischen Vorschriften, wie der DIN-Norm und den VDE-Bestimmungen, vertraut sind. Aus Sicherheitsgründen wurde diese Reinigungsanlage gemäß aller relevanten, in der EU gültigen Vorschriften gefertigt und somit mit der CE-Kennzeichnung gekennzeichnet.

11.2. Wartungskits

An den Dosierpumpen befinden sich bewegliche Teile. Auf Grund des Kontakts mit verschiedenen Reinigungsmitteln müssen diese Teile nach einiger Zeit und nach einigem Gebrauch ausgetauscht werden. Es wird empfohlen, auf Grund der Arbeitsbedingungen die Pumpen zu warten, damit sie funktionsfähig bleiben. Der O-Ring im Motorbereich oder im Dosierbereich sollte bei der Wartung ausgetauscht werden. Für diese Pumpen gibt es ein O-Ring-Kit für den Motorbereich und zwei Kits für den Dosierbereich – abhängig vom Reinigungsmittel – bestehend aus AF oder VF.

Mix 25 1-5%

Item no: 110003617

Beschreibung

Servicekit für Dosierpumpe Alkaline-AF-Produkte D8RE5

Item no: 110003618

Beschreibung

Servicekit für Dosierpumpe Säure-VF-Produkte D8RE5

Item no: 110003619

Beschreibung

O-Ring-Kit Motorteile für D8RE

Mix 25 0,2-2%

Pos.-Nr. 110006624

Beschreibung

Servicekit für Dosierpumpe Alkaline-AF-Produkte D8RE2

Pos.-Nr. 110006625

Beschreibung

Servicekit für Dosierpumpe Säure-VF-Produkte D8RE2

Pos.-Nr. 110003619

Beschreibung

O-Ring-Kit Motorteile für D8RE

Mix10 1-5%

Item no. 110006773

Description

Servicekit für Dosierpumpe Alkaline-AF-Produkte D3RE5

Item no 110006774

Description

Servicekit für Dosierpumpe Säure-VF-Produkte D3RE5

Item no 110006775

Description

O-Ring-Kit Motorteile für D3RE5

Item no 110006776

Description

O-Ring-Kit Motorteile für D3RE5

Mix10 0,2-2%

Item no. 110006771

Description

Servicekit für Dosierpumpe Alkaline-AF-Produkte D3RE2

Item no 110006772

Description

Servicekit für Dosierpumpe Säure-VF-Produkte D3RE2

Item no 110006775

Description

O-Ring-Kit Motorteile für D3RE2

Item no 110006776

Description

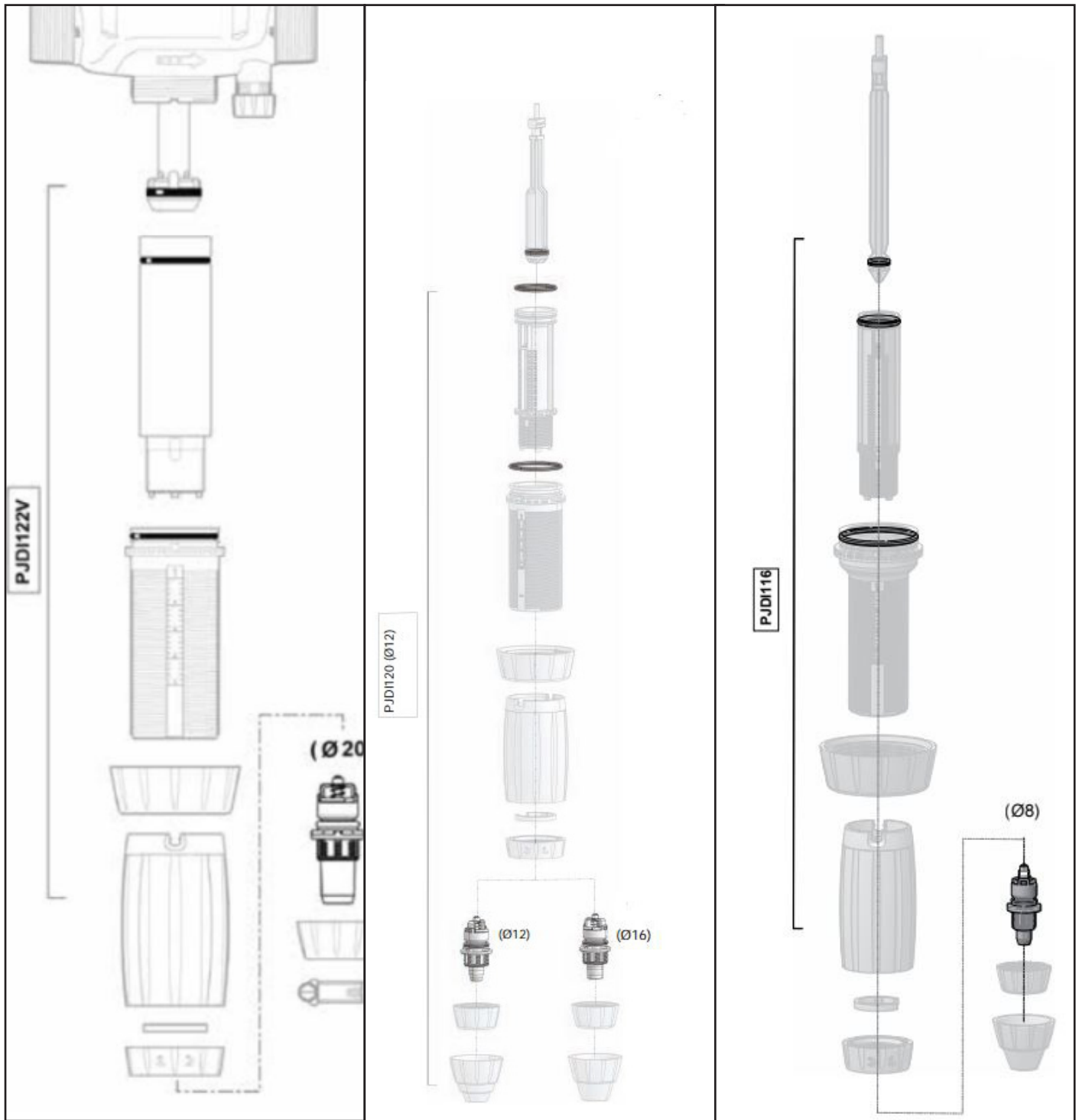
O-Ring-Kit Motorteile für D3RE2

12. Servicekits

Mix 25

Mix 10 1-5%

Mix 10 0,2-2%



13. Garantie



ACHTUNG

Unsere Garantie gilt für 12 Monate ab Lieferung für alle Teile, die auf Grund von Material-, Konstruktions- oder Herstellungsfehlern oder mangelhafte Arbeit Mängel aufweisen. Schadenersatz wird im Garantiefall geleistet in Form von Rückerstattung, Austausch oder Reparatur der mangelhaften oder beschädigten Teile oder Arbeiten. Installations- und Frachtkosten gehen immer zu Lasten des Käufers. Der Austausch defekter Teile erfolgt zu unseren Lasten. Ansprüche, die aufgrund anderer rechtlicher Gründe erfolgen, werden nicht anerkannt. Für indirekt entstandene Schäden wird keine Haftung übernommen. Der Käufer hat kein Recht, Reparaturen von Dritten zu unseren Lasten durchführen zu lassen.

Alle Schläuche, Gummitteile oder synthetische Materialien, natürlicher Verschleiß sowie Schäden aufgrund unachtsamer und unangemessener Behandlung, einschließlich Transportschäden, sind von der Garantie ausgenommen. Darüber hinaus entfällt die Garantie, wenn das System Frost ausgesetzt war. Die Garantie entfällt auch, wenn Änderungen oder Reparaturen von nicht autorisierten Personen durchgeführt werden. Garantieforderungen werden nicht anerkannt, wenn sie unmittelbar nach Entdeckung des Mangels gemeldet werden. Die Garantie erlischt bei Eigentümerwechsel.

Der Händler kann nicht für Personenschäden, Sachschäden an der Ausrüstung, Arbeitsausfälle, einschließlich Produktionsausfall, entgangener Gewinn, Lagerverluste oder desgleichen haftbar gemacht werden, die durch mangelhafte oder verspätete Lieferung des verkauften Produkts entstanden sind, unabhängig von der Ursache, einschließlich Herstellungs- und Materialfehlern. Siehe auch unsere allgemeinen Verkaufs- und Lieferbedingungen.

14. Nach der Verwendung



VORSICHT

Die Entsorgung von elektronischen Elementen und anderen Mitteln sollte als Sonderentsorgung gehandhabt werden. Alternativ können sie von einem spezialisierten Entsorgungsunternehmen entsorgt werden.

14.1. Demontage

Schließen Sie alle Versorgungsventile und entfernen Sie die Anlage von der Wand.

14.2. Entsorgung







Wenn die Anlage entsorgt wird, sollte sie demontiert und in recycelbare und nicht recycelbare Teile getrennt werden.

Die Stahlkonstruktion wird einfach demontiert und entsorgt und stellt kein Umweltrisiko dar – auch für den Benutzer nicht. Die Entsorgung muss sich nach den gültigen Regelungen und Bestimmungen zur Entsorgung von Maschinen richten und alle Umweltschutzstandards erfüllen.

1. Table des matières

1.	Table des matières	35
2.	Symboles utilisés dans ce document	36
3.	Généralités	37
3.1.	Plaque d'identification	37
3.2.	Fournisseur	37
3.3.	Caractéristiqu.....	38
4.	Utilisation	39
4.1.	Utilisation appropriée	39
4.2.	Utilisation inappropriée	39
5.	Installation	39
5.1.	Indications de montage du module de mélange	39
5.2.	Raccordement à l'eau	39
5.3.	Purge de la pompe	39
6.	Fonctionnement	39
6.1.	Opérations quotidiennes.....	39
7.	Instructions de sécurité	40
8.	Installation	40
8.1.	Montage du module de mélange	40
8.2.	Réglage de la vanne d'entrée.....	40
9.	Réglages.....	40
9.1.	Réglage avant utilisation.....	40
10.	Guide Module de mélange.....	41
11.	Maintenance.....	45
11.1.	Instructions	45
11.2.	Kits de maintenance	45
12.	Kits de service	46
13.	Garantie	47
14.	Mise au rebut	47
14.1.	Démontage	47
14.2.	Mise au rebut.....	47
	Liste de pièces détachées	61

2. Symboles utilisés dans ce document

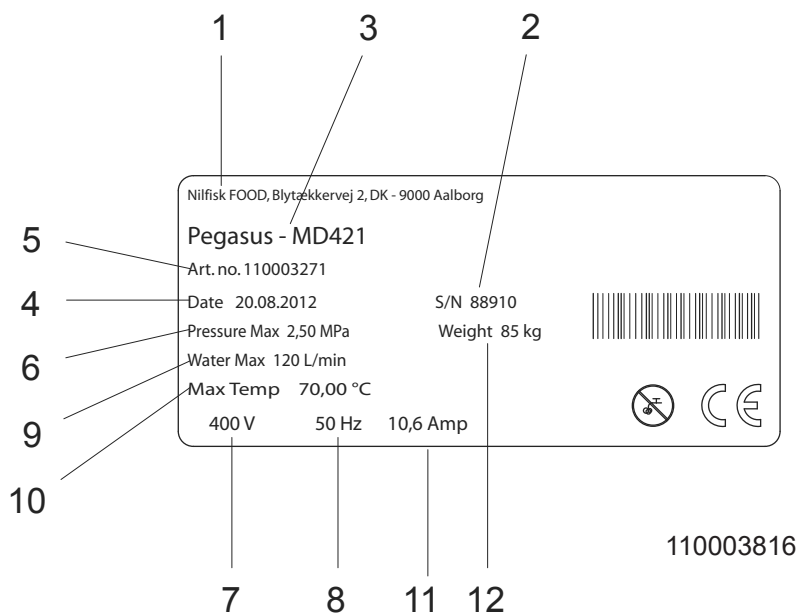
	<p>Lire avant utilisation</p>
	<p>Veillez porter des lunettes lors de l'utilisation de l'appareil.</p>
	<p>Veillez porter des gants et des vêtements appropriés lors de l'utilisation de l'appareil.</p>
	<p>Remarque : Situation potentiellement dommageable. Conséquences possibles : Le produit ou des éléments l'environnement pourraient être endommagés. Prévention.</p>
	<p>Attention : Situation dangereuse. Conséquences possibles : blessures légères ou mineures. Peut également être utilisé pour prévenir les dommages contre les biens ou d'autres produits.</p>
	<p>Avertissement : Situation potentiellement dangereuse. Conséquences possibles : Mort ou blessures graves.</p>
	<p>Attention : Situation dangereuse. Conséquences possibles : Mort ou blessures graves.</p>
	<p>Danger : Risque d'électrocution ! Conséquences possibles : Mort ou blessures graves.</p>
	<p>Attention : Avertissement ! Bords coupants, attention à vos doigts.</p>
	<p>Surfaces chaudes Risque de brûlures ! Conséquences possibles : Blessures graves.</p>

3. Généralités

Le module de mélange est conçu pour mélanger et distribuer le détergent prédilué pour les stations de nettoyage ou les autres types de sorties. L'eau et le détergent sont mélangés par une pompe de dosage et stockés dans un réservoir.

Il est très important que le personnel opérationnel lise attentivement ce manuel d'utilisation avant l'installation et la mise en service. La mise en service telle que présentée dans les instructions d'utilisation garantit un niveau d'hygiène optimal dans votre usine et un minimum de travaux de réparation.

3.1. Plaque d'identification



1. Fabricant
2. N° de série
3. Type
4. Date de fabrication
5. N° de l'article
6. Pression maximale
7. Tension d'alimentation
8. Fréquence
9. Consommation d'eau maximale
10. Température maximale
11. Courant
12. Poids

3.2. Fournisseur

Nilfisk-FOOD
 Blytækkervej 2
 DK-9000 Aalborg, Danemark
 Tél. : +45 7218 2000
 N° CVR 6257 2213
 www.nilfiskfood.com

3.3. Caractéristique

Technical Data		
	Mix 10	Mix 25
Entrée type de connexion	ISO 228/1-F 11/2" femelle	ISO 228/1-F 11/2" femelle
Sortie type de connexion	ISO 228/1-F 11/4" femelle	ISO 228/1-F 11/2" femelle
Entrée d'eau	Min. 60 l/mn	Min. 150 l/mn
Sortie pré-dilué (max)	50 l/mn	140 l/mn
Capacité du réservoir	200 l	200 l
Pression de la pompe (set point)	8 bars	8 bars
Pression opérationnelle (max)	13 bars	13 bars
Température max. de l'eau	40°C	40°C
Entrée type de connexion	Ø6 mm à pousser	Ø6 mm à pousser
Pression min. de l'alimentation en air	2 bars	2 bars
Pression max. de l'alimentation en air	8 bars	8 bars
Flux requis	100 NI/min	100 NI/min
Consommation électrique	4,0 kW	4,0 kW
Courant nominal	7,6-6,1 A	7,6-6,1 A
Alimentation	3/PE 380-500V 50/60Hz	3/PE 380-500V 50/60Hz
Sécurité du câblage électrique	16A	16A
Câble électrique : L1, L2, L3, PE	4x2,5 mm ²	4x2,5 mm ²
Nombre de produits	1	1
Classe IP	IP55	IP55
Niveau sonore ISO 11202	< 70 dB	< 70 dB
Poids	97 kg (vide)	100 kg (vide)
Dimensions L x H x P	1 500 x 1 300 x 600	1 500 x 1 300 x 600

4. Utilisation

4.1. Utilisation appropriée

Les modules de mélange sont conçus pour mélanger et distribuer le détergent prédilué pour les stations de nettoyage ou les autres types de sorties. L'eau et le détergent sont mélangés par une pompe de dosage.

Il est très important que le personnel opérationnel lise attentivement ce manuel d'utilisation avant l'installation et la mise en service. La mise en service telle que présentée dans les instructions d'utilisation garantit un niveau d'hygiène optimal dans votre usine et un minimum de travaux de réparation.

4.2. Utilisation inappropriée

Le module de mélange est uniquement conçu pour mélanger et distribuer le détergent pour les stations de nettoyage professionnel - tout autre usage sera considéré comme inapproprié !

5. Installation

5.1. Indications de montage du module de mélange



ATTENTION

1. L'appareil doit être monté uniquement dans une pièce à l'abri du gel.
2. Le module est mis à niveau en ajustant les pieds. Lorsque le module est mis à niveau, les contre-écrous sur les pieds doivent être serrés à fond.
3. Le module est fixé au sol au moyen d'un boulon dans le trou de chaque pied. Un seul boulon suffit pour fixer les pieds dans les coins.

5.2. Raccordement à l'eau



ATTENTION

1. Le module ne peut être installé que par un professionnel autorisé, dans ce cas-ci Ecolab.
2. Avant de raccorder l'appareil à la conduite d'alimentation en eau, celle-ci doit être rincée soigneusement afin d'éliminer les impuretés grossières et les copeaux de métal.
3. La perte de pression dans la conduite d'alimentation doit être maintenue aussi basse que possible en :
 - évitant de trop longues conduites
 - installant des soupapes à bille résistant à la basse pression et en
 - évitant les raccords à risque de perte de pression importante

4. Lors de l'installation de la tuyauterie, prenez soin d'éviter les purgeurs d'air.
 - Température max. de l'eau d'alimentation : 40°C
 - Alimentation d'eau minimale au module de mélange : 120 l/min
 - Pression d'eau maximale autorisée en entrée : 7 bars

5.3. Purge de la pompe

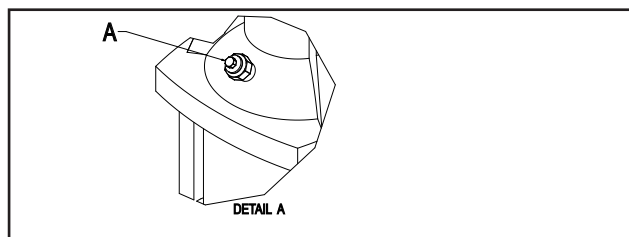


AVERTISSEMENT

Ne jamais démarrer la pompe d'alimentation avant que la purge de la pompe ait été effectuée.

Lorsque l'unité a été montée et l'eau raccordée du côté admission, la pompe doit être purgée.

La purge s'effectue en ouvrant la vis de purge en haut de la pompe. Faire fonctionner la valve de la pompe de dosage, remplir le réservoir avec de l'eau et purger la pompe d'alimentation. La pompe doit être purgée jusqu'à ce que seule de l'eau sorte de la pompe.



6. Fonctionnement

À la livraison, le module est préréglé pour utilisation. Pour le module de mélange, cela signifie que le réservoir est automatiquement rempli et que la pompe démarre au moment où du débit est présent dans une ou plusieurs sorties. De plus, la pompe s'arrêtera lorsqu'il n'y aura plus de débit.

Grâce au signal d'un transmetteur de pression la pompe démarre et s'arrête. Dès que la pression dans les conduites tombe, la pompe démarre. Et dès que la pression dans les conduites remonte, la pompe s'arrête.

La concentration de détergent doit être directement réglée à la pompe de dosage. Voir ci-dessous l'illustration n° 110006237_1.

6.1. Opérations quotidiennes

Lorsque l'ajustement est effectué conformément aux descriptions ci-dessus, l'appareil fonctionne automatiquement. Ainsi, le réservoir se remplit automatiquement et la pompe, sous réserve de débit dans une ou plusieurs sorties, fonctionne.

Avant d'utiliser la sortie, toujours raccorder une buse de désinfection ou une buse à mousse au pistolet/à la vanne à basse pression.

Quelques minutes après l'ouverture du pistolet/vanne à basse pression, la pompe démarre et une pression de fonctionnement apparaît automatiquement.

7. Instructions de sécurité

Les réparations doivent uniquement être effectuées lorsque l'alimentation en eau a été coupée.



Attention :

La maintenance doit uniquement être effectuée par du personnel autorisé.

8. Installation

8.1. Montage du module de mélange



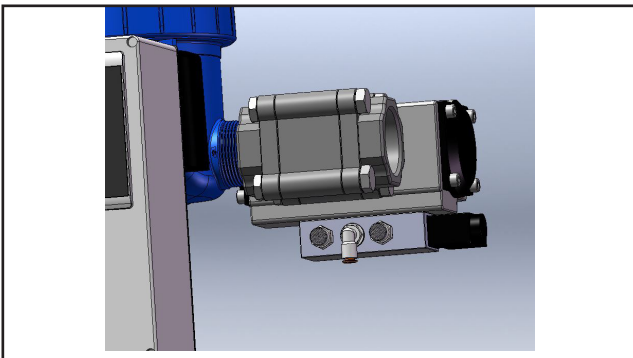
Attention :

- Le module doit être uniquement installé dans une pièce à l'abri du gel.
- Le module est mis à niveau en ajustant les pieds. Lorsque le module est mis à niveau, les contre-écrous sur les pieds doivent être serrés à fond.
- Le module est fixé au sol au moyen d'un boulon dans le trou sur chaque pied. Un seul boulon suffit pour fixer les pieds dans les coins.
- Toujours se servir d'un charriot élévateur

8.2. Réglage de la vanne d'entrée

Réglage du temps de fermeture de la vanne pneumatique d'entrée

Le silencieux d'échappement pneumatique peut être réglé en ralentissant ou accélérant la fermeture au niveau du robinet à bille. S'il y a beaucoup de coups de bélier dans les conduites ou si le client désire une fermeture plus rapide de la vanne, la solution passe peut-être par un réglage de la vanne en adaptant le silencieux d'échappement en tournant soit dans le sens horaire (plus lent) soit anti-horaire (plus rapide). Veuillez consulter l'illustration ci-dessous.



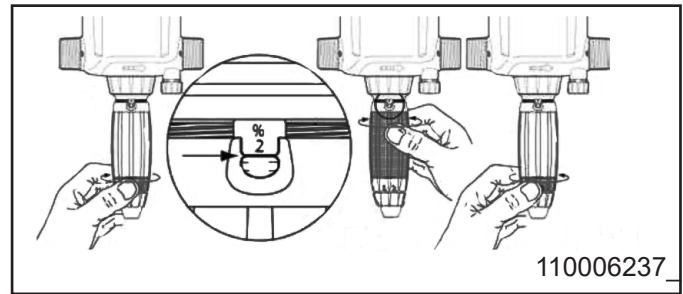
9. Réglages

9.1. Réglage avant utilisation

À la livraison, le module est pré-réglé pour utilisation. Pour le module de mélange, cela signifie que le réservoir est automatiquement rempli et que la pompe démarre au moment où du débit est présent dans une ou plusieurs sorties. De plus, la pompe s'arrêtera lorsqu'il n'y aura plus de débit.

Grâce au signal d'un transmetteur de pression la pompe démarre et s'arrête quand la pression s'exerce.

La concentration de détergent doit être directement ajustée sur l'entrée de la pompe de dosage. Pour plus d'informations et d'aide sur la pompe de dosage, veuillez consulter la feuille de données et le manuel sur la pompe de dosage.



Ne pas utiliser d'outils ou d'ustensiles métalliques.

Le réglage ne peut se faire qu'en l'absence de pression dans la Dosatron.

- Fermer l'arrivée d'eau et laisser la pression retomber jusqu'à zéro.
- Dévisser la bague d'arrêt (image à gauche).
- Visser ou dévisser l'écrou d'ajustement de manière à pouvoir aligner les 2 pointes des œillets en adaptant le rapport souhaité à l'échelle (image dans le cercle).
- Serrer la bague butée (image à droite).

10. Guide Module de mélange

MIX unité est en fonctionnement



MIX unité en pause



MIX unité alarme à la pompe (module à l'arrêt)



Fig. 3

Ligne rouge indiquant une alarme à la pompe, disparaîtra dès que l'alarme sera acquittée (Réinit. = F4). Après quoi la fig. 2 apparaîtra.

MIX unité alarme de haut niveau (module en fonctionnement)



Fig. 4

Acquitter l'alarme. Appuyez sur START = F1, le module retournera à la Fig. 1.

MIX unité alarme de niveau bas (module en arrêt)



Fig. 5

Le module est arrêté. Appuyez sur F3 pour remplir manuellement le réservoir.
Appuyez sur F4 pour réinitialiser.
Dès que le niveau dans le réservoir est au-dessus du niveau d’alarme bas, le module peut être démarré

MIX unité alarme température (module à l’arrêt)



Fig. 6

Le module est arrêté. Quand la température au sommet de la pompe tombe en-dessous de 80°C, on peut redémarrer le module.
Appuyez sur F4 pour réinitialiser et appuyez sur F1 pour démarrer, alors l’alarme disparaît.

MIX unité Niveau bas produits chimiques (Avertissement uniquement)



Fig. 7

Ceci n'est qu'un avertissement, le conteneur / palette de produits chimiques sont presque vides.

MIX unité produits chimiques vides (Uniquement une alarme)



Fig. 8

La vanne d'eau sera fermée. Il n'est plus possible de remplir le réservoir de produits préalablement dilués. L'avertissement n'arrête pas le module, mais dès que le niveau de produits pré-dilués atteint le niveau d'alarme bas, le module s'arrête.

11. Maintenance

11.1. Instructions

a) Après un mois d'utilisation, le module de mélange Phœnix doit être entretenu par un ingénieur de service. Une maintenance est requise afin de garantir la fonctionnalité et la résolution des erreurs éventuelles. De plus, toute fuite doit être recherchée.

La maintenance ci-dessus doit être effectuée au minimum tous les trois mois. Si nécessaire, l'intervalle peut être plus court.

b) En fonction de l'usage, une maintenance annuelle doit être effectuée par un ingénieur de service autorisé afin d'empêcher tout défaut et défaillance de fonctionnement. Les techniciens agréés sont des personnes qui, en raison de leurs compétences et de leur expérience ont une connaissance suffisante de l'unité et sont familiers avec les règles nationales de sécurité du travail, la réglementation sur la prévention des accidents, des instructions et les réglementations techniques généralement reconnues telles que les normes DIN et les directives VDE. Pour votre sécurité, cet appareil de nettoyage a été fabriqué conformément à toutes les réglementations correspondantes en vigueur dans l'UE et il comporte le marquage CE.

11.2. Kits de maintenance

Les pompes de dosage ont des parties mobiles. Lorsqu'elles sont associées à différents détergents, ces parties doivent être changées au cours du temps et de l'utilisation. Il est recommandé de mettre en service ces pompes du fait des conditions de fonctionnement pour les garder en état de marche. Le joint torique dans la partie moteur ou dans la partie dosage doit être changé au cours de l'entretien. Pour ces pompes, il y a un kit de joints toriques pour la partie moteur et deux kits pour la partie dosage, en fonction du détergent, matériau AF ou VF.

Mix 25 1-5%

N° d'article 110003617

Description

Kit de service pour la pompe de dosage; Alcaline AF D8RE5

N° d'article 110003618

Description

Kit de service pour la pompe de dosage; Acide VF D8RE5

N° d'article 110003619

Description

Kit joint torique partie moteur pour D8RE

Mix 25 0,2-2%

N° d'article 110006624

Description

Kit de service pour la pompe de dosage; Alcaline AF D8RE2

N° d'article 110006625

Description

Kit de service pour la pompe de dosage; Acide VF D8RE2

N° d'article 11003619

Description

Kit joint torique partie moteur pour D8RE

Mix10 1-5%

Item no. 110006773

Description

Kit de service pour la pompe de dosage; Alcaline AF D3RE5

Item no 110006774

Description

Kit de service pour la pompe de dosage; Acide VF D3RE5

Item no 110006775

Description

Kit joint torique partie moteur pour D3RE5

Item no 110006776

Description

Kit joint torique partie moteur pour D3RE5

Mix10 0,2-2%

Item no. 110006771

Description

Kit de service pour la pompe de dosage; Alcaline AF D3RE2

Item no 110006772

Description

Kit de service pour la pompe de dosage; Acide VF D3RE2

Item no 110006775

Description

Kit joint torique partie moteur pour D3RE2

Item no 110006776

Description

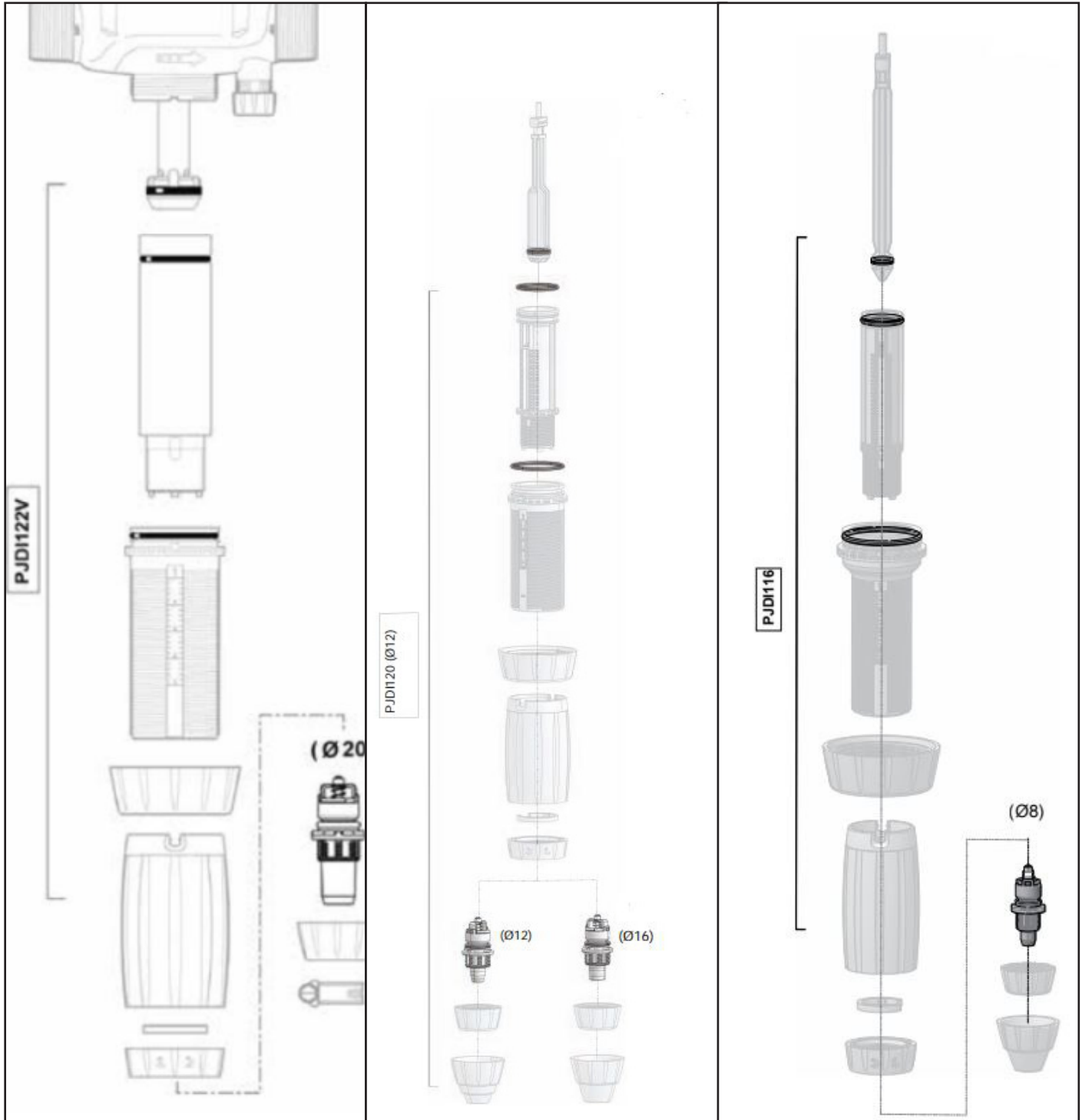
Kit joint torique partie moteur pour D3RE2

12. Kits de service

Mix 25

Mix 10 1-5%

Mix 10 0,2-2%



13. Garantie



ATTENTION

Notre garantie est valide pour une période de 12 mois à compter de la livraison sur toutes les parties dont le caractère impropre a été prouvé, en raison de défauts matériels, de construction et de fabrication ainsi que de travail inadapté. La garantie couvre le remboursement, le remplacement ou la réparation des pièces défectueuses ou endommagées dans nos usines. Les frais d'installation et de douanes sont toujours à la charge de l'acheteur. Toute pièce défectueuse doit être mise à notre disposition. Toute autre réclamation, quel qu'en soit le fondement juridique, ne sera pas prise en compte. La société décline toute responsabilité découlant d'un dommage causé indirectement. L'acheteur n'a pas le droit de confier la réparation d'une éventuelle pièce défectueuse à une tierce partie, quelle qu'elle soit, pour le compte de la société.

Aucun flexible, aucune pièce en caoutchouc ou matériau synthétique, aucune usure naturelle, ni aucun dommage des suites d'une manipulation négligente ou inappropriée, dont un dommage dû au transport, n'est couvert par la garantie. Par ailleurs, la garantie devient caduque si le système a été exposé au gel. Une modification ou réparation réalisée par une personne non autorisée annule toute obligation d'indemnisation au titre de la garantie. Toute réclamation aux termes de la garantie sera jugée recevable uniquement si elle est déposée immédiatement après constatation du défaut. La présente garantie expire en cas de changement de propriétaire.

Le fournisseur ne peut être tenu responsable d'un préjudice corporel, dommage matériel, arrêt d'exploitation, y compris une perte de production, profit, stock ou autre, pouvant découler d'une livraison imparfaite ou d'un retard de livraison du produit acheté quelle qu'en soit la raison, y compris un vice matériel et de fabrication. Veuillez également vous reporter à nos conditions générales de vente et de livraison.

14. Mise au rebut



ATTENTION

La mise au rebut des composants électroniques et autres ressources doit être traitée de façon particulière. Ils peuvent également être éliminés par une entreprise d'élimination spécialisée.

14.1. Démontage

Fermez toutes les vannes d'alimentation et retirez l'appareil du mur.

14.2. Mise au rebut

Au cas où l'appareil doit être mis au rebut, les pièces, par exemple, recyclables et non recyclables, doivent être triées.

La structure en acier peut être facilement séparée et éliminée, ainsi elle ne constituera aucun danger ni pour l'environnement, ni pour l'utilisateur. La mise au rebut doit être effectuée conformément à la réglementation en vigueur pour l'élimination des machines ainsi qu'à toutes les normes concernant la protection de l'environnement.

1. Índice

1. Índice.....	48
2. Símbolos utilizados en este documento	49
3. Información general	50
3.1. Placa de identificación	50
3.2. Proveedor	50
3.3. Especificaciones	51
4. Uso	52
4.1. Uso previsto.....	52
4.2. Uso no previsto.....	52
5. Instalación.....	52
5.1. Instrucciones para el montaje de la Mixing	52
5.2. Conexión del agua.....	52
5.3. Purga de la bomba	52
6. Funcionamiento.....	52
6.1. Funcionamiento diario	52
7. Instrucciones de seguridad	53
8. Instalación	53
8.1. Montaje de la Mixing Station.....	53
8.2. Ajuste de la válvula de entrada	53
9. Ajustes	53
9.1. Configuración antes del uso	53
9.2. MIX 10 Operation diagram.....	
10. Guía Mixing Station.....	54
11. Mantenimiento	58
11.1. Instrucciones	58
11.2. Juegos de mantenimiento.....	58
12. Juegos de servicio	59
13. Garantía.....	60
14. Fin del uso	60
14.1. Desmontado	60
14.2. Desechado.....	60
Lista de piezas de repuesto	61

2. Símbolos utilizados en este documento

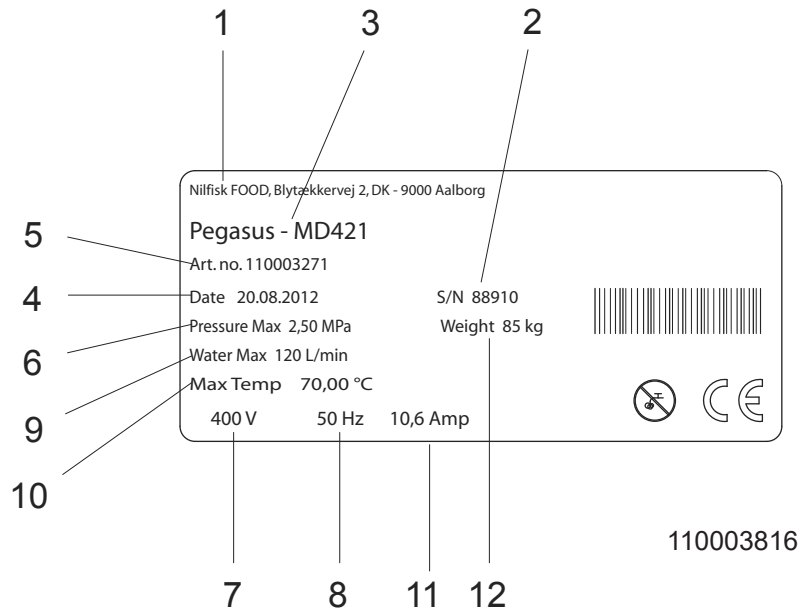
	<p>Lea este texto antes de usar la unidad.</p>
	<p>Lleve gafas siempre que use la unidad.</p>
	<p>Use guantes y ropa adecuada cuando use la unidad.</p>
	<p>Nota: Situación potencialmente peligrosa. Posibles consecuencias: El producto o cualquier objeto que se encuentre cerca podría dañarse. Prevención.</p>
	<p>Precaución: Situación peligrosa. Posibles consecuencias: lesiones leves o menores. También puede usarse para advertir sobre daños a la propiedad u otros bienes.</p>
	<p>Advertencia: Situación potencialmente peligrosa. Posibles consecuencias: Fallecimiento o lesiones graves.</p>
	<p>Peligro: Situación peligrosa. Posibles consecuencias: Fallecimiento o lesiones graves.</p>
	<p>Peligro: ¡Riesgo de descarga eléctrica! Posibles consecuencias: Fallecimiento o lesiones graves.</p>
	<p>Peligro: ¡Advertencia! Bordes afilados. Cuidado con los dedos.</p>
	<p>Superficies calientes ¡Riesgo de quemaduras! Posibles consecuencias: Lesiones graves.</p>

3. Información general

La unidad Mixing Station se utiliza para mezclar y distribuir detergente prediluido a estaciones de limpieza u otros tipos de salidas. El agua y el detergente se mezclan con una bomba de dosificación y se almacenan en un tanque.

Es muy importante que los operadores lean atentamente esta guía del usuario antes de la instalación y la puesta en marcha. Siguiendo las instrucciones de uso garantizará un nivel óptimo de higiene en su fábrica y un nivel mínimo de reparaciones.

3.1. Placa de identificación



1. Fabricante
2. Núm. de serie
3. Tipo
4. Fecha de fabricación
5. N° de artículo
6. Presión máxima
7. Tensión de suministro
8. Frecuencia
9. Consumo máximo de agua
10. Temperatura máxima
11. Corriente
12. Peso

3.2. Proveedor

Nilfisk FOOD
 Blytækkervej 2
 DK-9000 Aalborg, Dinamarca
 Tel.: +45 7218 2000
 CVR núm. 6257 2213
 www.nilfiskfood.com

3.3. Especificaciones

Technical Data		
	Mix 10	Mix 25
Tipo de conexión de entrada	ISO 228/1-F 11/2" hembra	ISO 228/1-F 11/2" hembra
Tipo de conexión de salida	ISO 228/1-F 11/4" hembra	ISO 228/1-F 11/2" hembra
Caudal de agua entrada	Mín. 60 l/min	Mín. 150 l/min
Caudal prediluido salida (máx.)	50 l/min	140 l/min
Capacidad del tanque	200 l	200 l
Presión de la bomba (set point)	8 bar	8 bar
Presión de funcionamiento (max)	13 bar	13 bar
Máx. temperatura de agua	40°C	40°C
Tipo de conexión de entrada	Ø6 mm push-in	Ø6 mm push-in
Presión mín. del suministro de aire	2 bar	2 bar
Presión máx. del suministro de aire	8 bar	8 bar
Caudal requerido	100 NI/min	100 NI/min
Consumo eléctrico	4,0 kW	4,0 kW
Valor nominal	7,6-6,1 A	7,6-6,1 A
Suministro	3/PE 380-500V 50/60Hz	3/PE 380-500V 50/60Hz
Fusible del cableado eléctrico	16A	16A
Cable eléctrico: L1, L2, L3, PE	4x2,5 mm ²	4x2,5 mm ²
Número de productos	1	1
Clase IP	IP55	IP55
Nivel de ruido ISO 11202	Por debajo de 70 dB	Por debajo de 70 dB
Peso	97 kg (vacío)	100 kg (vacío)
Dimensiones Am x Al x F	1500x1300x600	1500x1300x600

4. Uso

4.1. Uso previsto

Las unidades de mezcla se utilizan para mezclar y suministrar detergente prediluido a estaciones de limpieza u otros tipos de salidas. El agua y el detergente se mezclan con una bomba de dosificación.

Es muy importante que los operadores lean atentamente esta guía del usuario antes de la instalación y la puesta en marcha. Siguiendo las instrucciones de uso garantizará un nivel óptimo de higiene en su fábrica y un nivel mínimo de reparaciones.

4.2. Uso no previsto

La unidad solo debe utilizarse para mezclar agua y detergentes para su uso en estaciones de limpieza profesionales. ¡Todo uso adicional se considerará uso no previsto!

5. Instalación

5.1. Instrucciones para el montaje de la Mixing Station



ATENCIÓN

1. La unidad debe colocarse solo en espacios que nunca alcancen temperaturas bajo cero.
2. La unidad se nivela ajustando los pies. Una vez nivelada la unidad, deben apretarse bien las tuercas de seguridad de los pies.
3. La unidad se sujeta al piso con un perno a través del orificio de cada pie. Es suficiente con sujetar los pies de las esquinas.

5.2. Conexión del agua



PRECAUCIÓN

1. La unidad solo debe ser instalada por personal capacitado, en este caso Ecolab.
2. Antes de conectar la estación al tubo de suministro de agua, la línea de suministro debe enjuagarse muy bien para eliminar las impurezas de suciedad y virutas de metal.
3. La pérdida de presión en la línea de suministro debería reducirse todo lo posible:
 - evitando conductos de suministro largos
 - instalando válvulas de bola de resistencia de baja presión, y
 - evitando accesorios con gran pérdida de presión
4. Al instalar las tuberías, preste atención para evitar bloqueos del aire.

5. Temperatura máxima del suministro de agua: 40°C

Suministro de agua mínimo de la Mixing Station: 120 l/min

Máx. presión de entrada de agua permitida: 7 bares

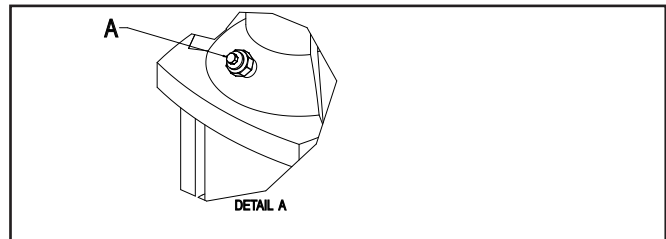
5.3. Purga de la bomba



ADVERTENCIA

Nunca arranque la bomba de suministro antes de que la bomba haya sido purgada.

Una vez se ha montado la unidad y se ha conectado agua al lado de entrada, la bomba debe purgarse. Esto se hace abriendo el tornillo de purga en la parte superior de la bomba. Accione la válvula de la bomba de dosificación y llene el tanque con agua, y purgue la bomba de suministro. La bomba debe purgarse hasta que de ella salga solo agua.



6. Funcionamiento

La unidad se entrega preconfigurada para su uso. En la Mixing Station esto significa que el tanque se rellenará automáticamente, y que la bomba se pondrá en marcha cuando aparezca caudal en una o más salidas. Además, la bomba se detendrá cuando se interrumpa el caudal.

A través de una señal de un transmisor de presión, la bomba arranca y se detiene. Cuando la presión de las tuberías está disminuyendo, la bomba arranca. Y cuando la presión aumenta, la bomba se detendrá.

La concentración del detergente debe ajustarse directamente en la bomba de dosificación. Ver más abajo la ilustración nº 110006237_1.

6.1. Funcionamiento diario

Una vez ajustada de acuerdo con las anteriores instrucciones, la unidad se pondrá automáticamente en funcionamiento. Esto significa que el tanque se volverá a llenar automáticamente, y que la bomba, mientras haya caudal en una o más salidas, entrará en funcionamiento.

Antes de utilizar la salida, conecte siempre una boquilla de desinfección o una boquilla de espuma a la pistola/válvula de baja presión.

A los pocos segundos de abrir la pistola/válvula de baja presión, la bomba arrancará y aparecerá automáticamente una presión de trabajo.

7. Instrucciones de seguridad

Las reparaciones solo deben llevarse a cabo con el suministro de agua desconectado.



Atención:

El mantenimiento solo debe ser llevado a cabo por personal autorizado.

8. Instalación

8.1. Montaje de la Mixing Station



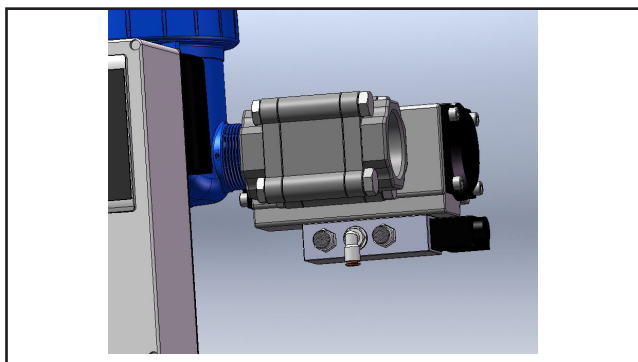
Atención:

- La unidad debe colocarse solo en espacios que nunca alcancen temperaturas bajo cero.
- La unidad se nivela ajustando los pies. Una vez nivelada la unidad, deben apretarse bien las tuercas de seguridad de los pies.
- La unidad se sujeta al piso con un perno a través del orificio de cada pie. Es suficiente con sujetar los pies de las esquinas.
- Utilice siempre una carretilla elevadora

8.2. Ajuste de la válvula de entrada

Ajuste del tiempo de cierre en la válvula de admisión neumática

El silenciador de escape neumático se puede ajustar para que la válvula de bola se cierre más rápido o más despacio. Si se producen muchos golpes en las tuberías o si el cliente desea que la válvula se cierre más rápido, una idea es ajustar la válvula ajustando el silenciador de escape, enroscando hacia la derecha (más lento) o hacia la izquierda (más rápido). Por favor, vea la ilustración de abajo.



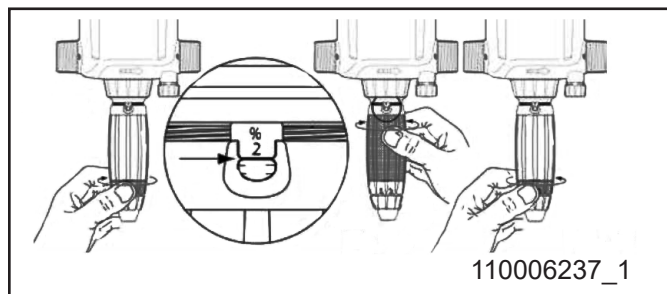
9. Ajustes

9.1. Configuración antes del uso

La unidad se entrega preconfigurada para su uso. En la Mixing Station esto significa que el tanque se rellenará automáticamente, y que la bomba se pondrá en marcha cuando aparezca caudal en una o más salidas. Además, la bomba se detendrá cuando se interrumpa el caudal.

A través de una señal de un transmisor de presión, la bomba arranca y se detiene mientras se acumula la presión.

La concentración del detergente debe ajustarse directamente en la entrada de la bomba de dosificación. Para obtener más información y servicio sobre la bomba dosificadora, consulte la hoja de datos y el manual de la bomba dosificadora.



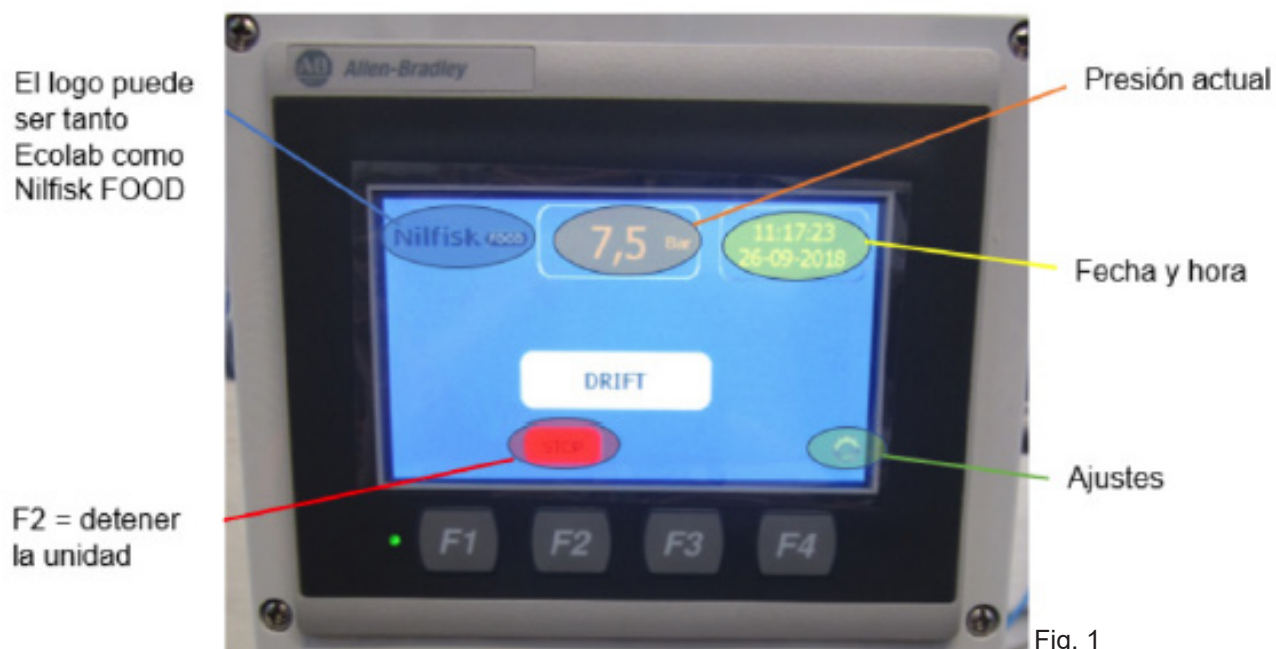
No utilice herramientas o utensilios metálicos.

El ajuste se debe realizar cuando no hay presión en el Dosatron.

- Cierre el suministro de agua y deje que la presión descienda a cero.
- Desenrosque el anillo de retención (imagen de la izquierda).
- Enrosque o desenrosque la tuerca de ajuste para alinear los 2 salientes del orificio con la proporción deseada en la escala (imagen en el círculo).
- Apriete el anillo de bloqueo (imagen de la izquierda).

10. Guía Mixing Station

El MIX unidad está en funcionamiento



MIX unidad en espera



Alarma de bomba MIX unidad (la unidad se encuentra detenida)



La línea roja indica alarma de la bomba, desaparecerá cuando se pulse para detener la alarma (Restablecer = F4). Una vez hecho aparecerá la fig. 2.

MIX unidad Alarma de alto nivel (la unidad está en funcionamiento)



Detiene la alarma. Presione START = F1 y la unidad regresará a la Fig. 1.

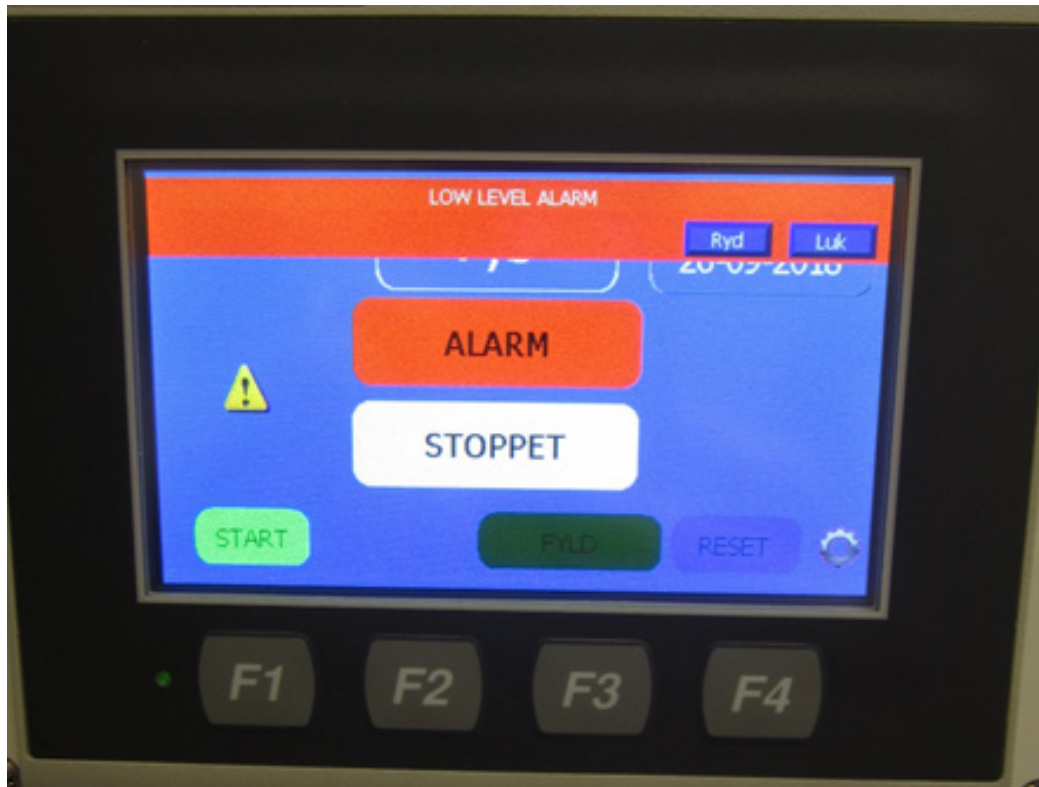
MIX unidad Alarma de bajo nivel (la unidad está en funcionamiento)

Fig. 5

Se detiene la unidad. Presione F3 para llenar manualmente el tanque. Presione F4 para reiniciar. Cuando el nivel del tanque quede por encima de la alarma de nivel bajo, se podrá iniciar la unidad

MIX unidad Alarma de temperatura (la unidad se encuentra detenida)

Fig. 6

Se detiene la unidad. Cuando la temperatura de la parte superior de la bomba haya descendido por debajo de 80°C, la unidad se puede volver a poner en marcha.

Presione F4 para reiniciar y presione F1 para poner en marcha, la alarma desaparecerá.

MIX unidad Productos químicos de bajo nivel (solo advertencia)



Fig. 7

Esto es solo una advertencia, el contenedor/palé con productos químicos está casi vacío.

MIX unidad Productos químicos vacíos (únicamente alarma)



Fig. 8

La válvula de agua quedará cerrada. Ya no será posible llenar el tanque prediluido. Esta advertencia no detendrá la unidad, pero cuando el nivel en el tanque prediluido alcance la Alarma de nivel bajo, la unidad se detendrá.

11. Mantenimiento

11.1. Instrucciones

a) Después de un mes de uso, un técnico de servicio deberá llevar a cabo una revisión de la unidad de mezcla de Phoenix. Se revisarán su funcionalidad y los posibles errores. Además, la unidad debe revisarse para detectar fugas.

Esta revisión debe llevarse a cabo como mínimo cada tres meses. Si es necesario, el intervalo puede ser más corto.

b) Dependiendo del uso, al menos una vez al año un técnico de servicio autorizado realizará una revisión para evitar defectos y fallos de funcionamiento. Los ingenieros autorizados son personas que, debido a su cualificación y experiencia, tienen un conocimiento suficiente de la unidad en cuestión y conocen las principales normativas de seguridad, reglamentos de prevención de accidentes y, generalmente están al tanto de reglamentos técnicos como las normas DIN y estipulaciones VDE. Por su seguridad, esta unidad de limpieza ha sido fabricada según todas las normativas relevantes válidas en la UE y, por tanto, se suministra con el sello de la CE.

11.2. Juegos de mantenimiento

Las bombas de dosificación tienen algunas piezas móviles que, en combinación con diferentes detergentes, deben sustituirse con el tiempo y el uso. Debido a las condiciones de trabajo, se recomienda realizar un mantenimiento de estas bombas para mantenerlas funcionamiento. Durante el mantenimiento debe sustituirse la junta tórica de la sección del motor y/o de la sección de dosificación. Existe para estas bombas un juego de juntas tóricas para la parte del motor, y dos juegos para la parte de dosificación, dependiendo del detergente, material de AF o VF.

Mix 25 1-5%

Artículo nº 110003617

Descripción

Juego de servicio para la bomba dosificadora de productos alcalinos AF D8RE5

Artículo nº 110003618

Descripción

Juego de servicio para la bomba dosificadora de productos ácidos VF D8RE5

Artículo nº 110003619

Descripción

Juego de juntas tóricas para D8RE

Mix 25 0,2-2%

Artículo nº 110006624

Descripción

Juego de servicio para la bomba dosificadora de productos alcalinos AF D8RE2

Artículo nº 110006625

Descripción

Juego de servicio para la bomba dosificadora de productos ácidos VF D8RE2

Artículo nº 110003619

Descripción

Juego de juntas tóricas para D8RE

Mix10 1-5%

Item no. 110006773

Description

Juego de servicio para la bomba dosificadora de productos alcalinos AF D3RE5

Item no

110006774

Description

Juego de servicio para la bomba dosificadora de productos ácidos VF D3RE5

Item no 110006775

Description

Juego de juntas tóricas para D3RE5

Item no 110006776

Description

Juego de juntas tóricas para D3RE5

Mix10 0,2-2%

Item no. 110006771

Description

Juego de servicio para la bomba dosificadora de productos alcalinos AF D3RE2

Item no 110006772

Description

Juego de servicio para la bomba dosificadora de productos ácidos VF D3RE2

Item no 110006775

Description

Juego de juntas tóricas para D3RE2

Item no 110006776

Description

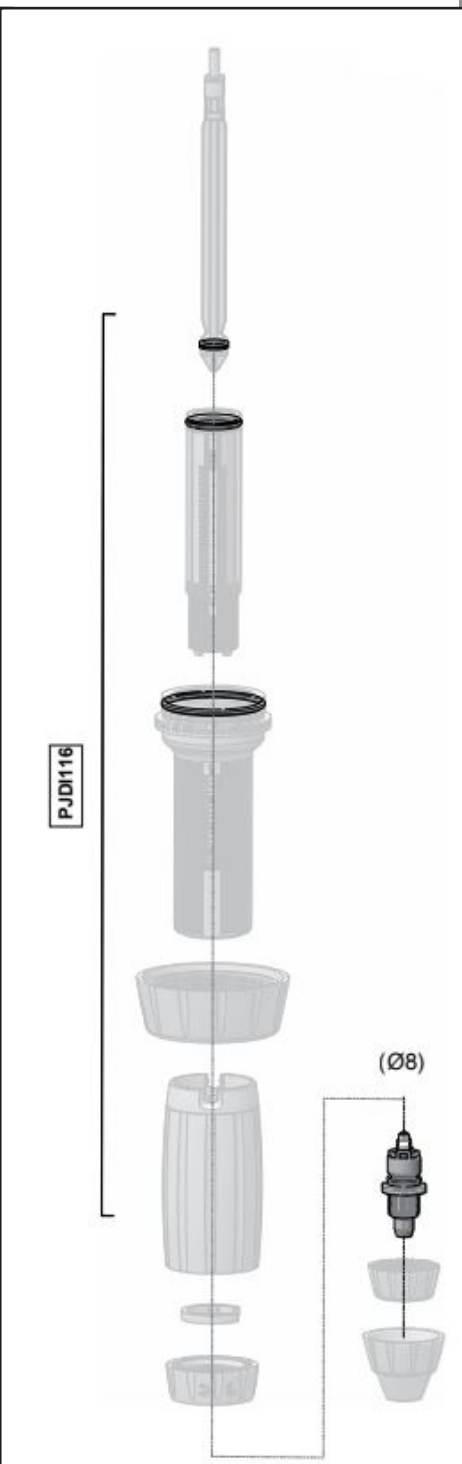
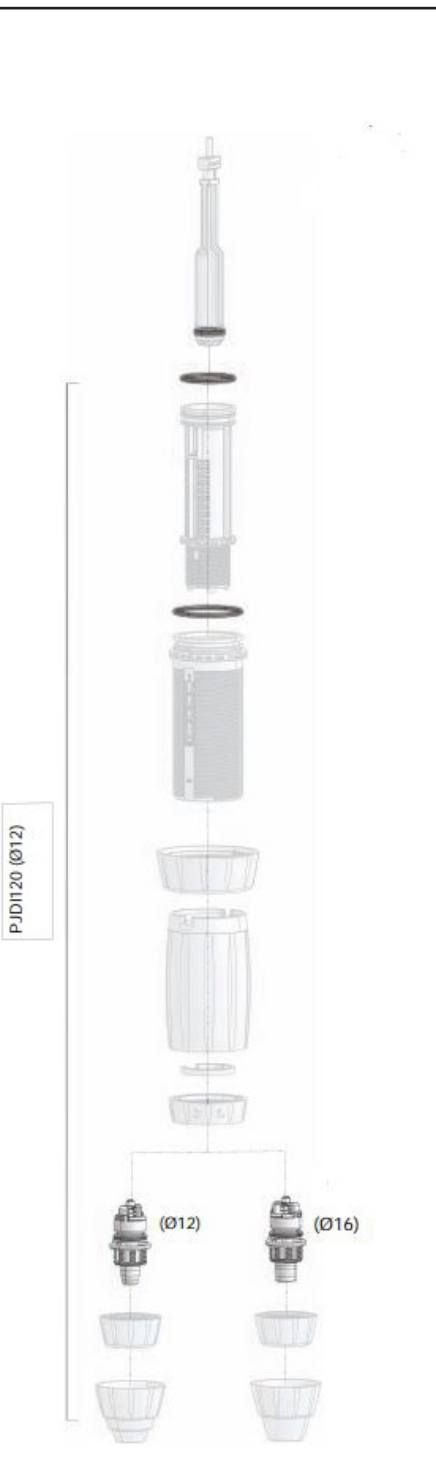
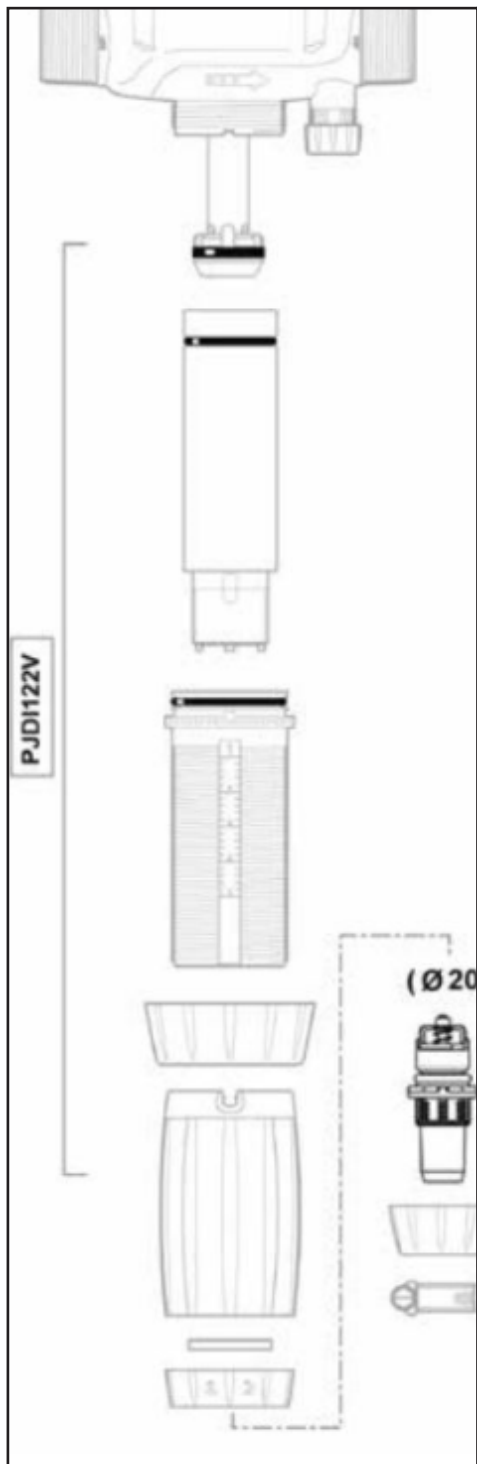
Juego de juntas tóricas para D3RE2

12. Juegos de servicio

Mix 25

Mix 10 1-5%

Mix 10 0,2-2%



13. Garantía



ATENCIÓN

Nuestra garantía se otorga por un período de 12 meses a partir de la fecha de entrega, para todas las piezas que se haya demostrado que no sean aptas para el uso debido a defectos en materiales, construcción, fabricación o manipulación. La garantía consiste en el reembolso, sustitución o reparación de la pieza dañada o defectuosa por nuestra parte. Los gastos de instalación y transporte corren siempre a cargo del comprador. Las piezas defectuosas serán sustituidas por nuestra cuenta. No se admitirá ninguna demanda por motivos legales. La empresa no aceptará responsabilidad alguna por los daños producidos de manera indirecta. El comprador no tiene derecho a que un tercero repare los posibles defectos a nuestra cuenta.

La garantía no cubre las mangueras, las piezas de goma ni los materiales sintéticos, el desgaste natural ni los daños provocados por un manejo inadecuado y despreocupado, incluidos los daños de transporte. Además, la garantía no se aplica si el sistema de limpieza ha sufrido heladas. La obligación de compensación de la garantía también se anula si se realizan cambios o reparaciones por parte de personal no autorizado. Las reclamaciones conforme a la garantía sólo se admitirán si se realizan inmediatamente después de la detección del defecto. La garantía queda anulada en caso de cambio de propietario.

El distribuidor no será considerado responsable de las lesiones personales, daños en el equipo, déficit de trabajo, incluida la pérdida de producción, la pérdida de beneficios, la pérdida de stock o similares que puedan producirse por una entrega retrasada o imperfecta del producto vendido, independientemente del motivo, incluidos defectos materiales y de fabricación. Consulte nuestros términos estándar de venta y entrega.

14. Fin del uso



PRECAUCIÓN

El desechado de componentes electrónicos y otros remedios debe ser manejado de forma especial. Asimismo, se puede llevar a una empresa especialista en desechos.

14.1. Desmontado

Cierre todas las válvulas de suministro y retire la unidad de la pared.

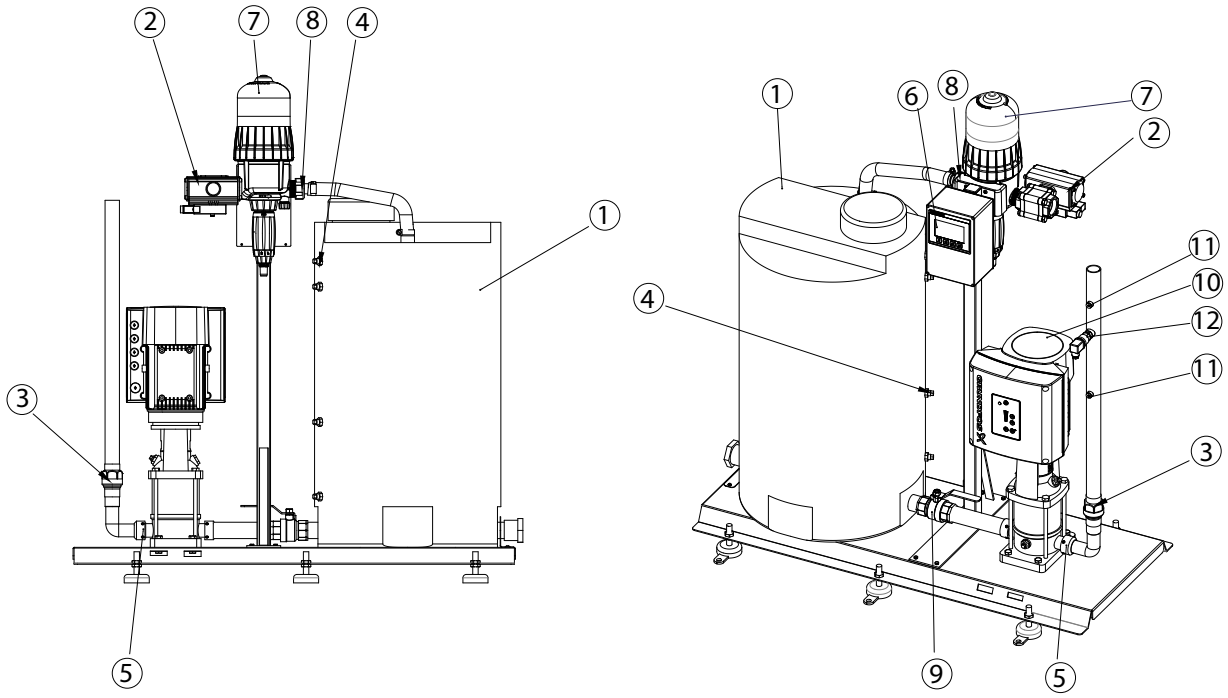
14.2. Desechado

En caso de tener que desechar la unidad, debe separarse y clasificarse en piezas reciclables y no reciclables.

La estructura de acero se puede separar y desechar fácilmente y no constituye ningún peligro para el medio ambiente ni para el usuario. El desechado se debe realizar según las normas y reglamentos de desechado de máquinas vigentes, así como todos los estándares relacionados con la protección del medio ambiente.

Recommended spare parts
Empfehlenswerte Ersatzteile
Pièchange conseièes
Piezas de requesto recomendadas

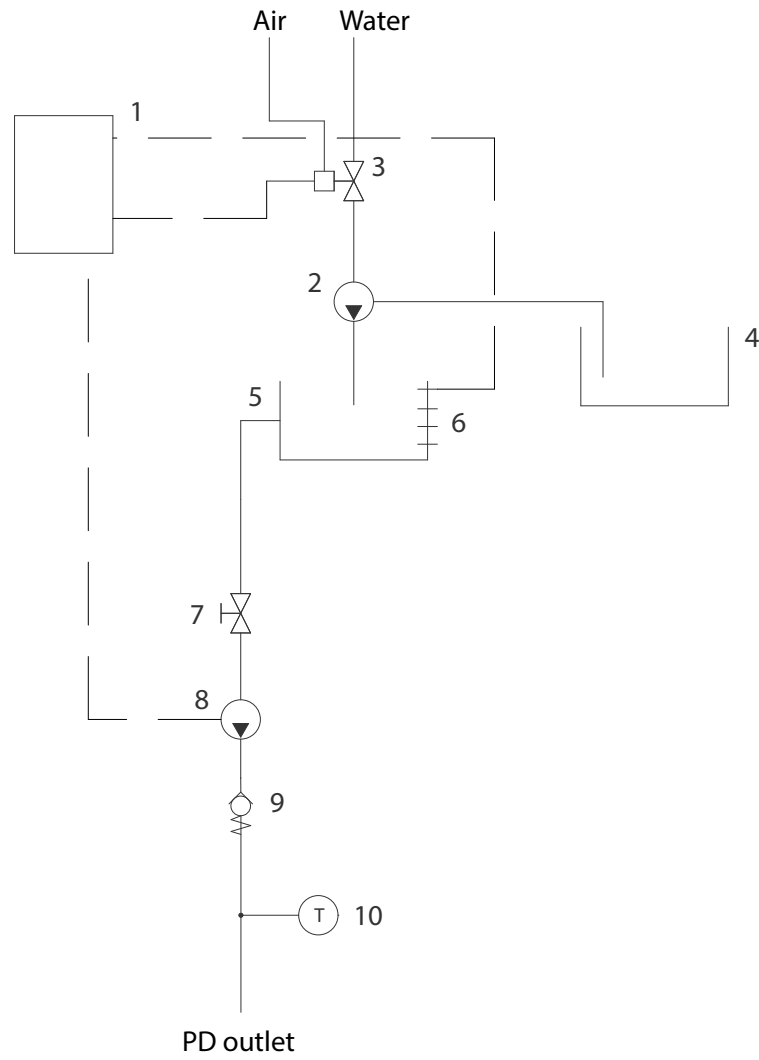
Layout and Parts Mixing Station



11900599_1

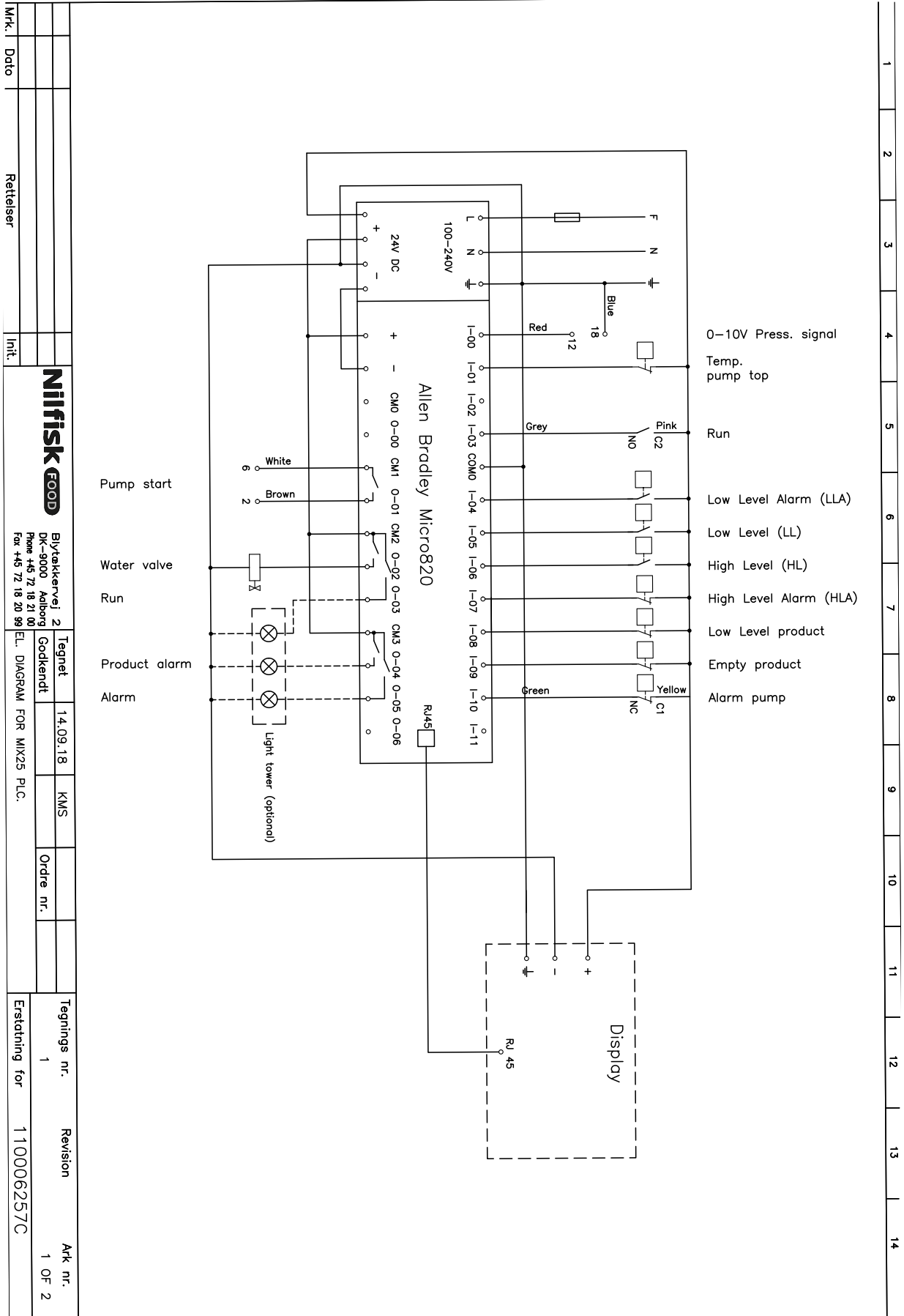
Pos./Ref.	Nr. No.	Description Beschreibung Désignation Designación	Amount
1	0636050	Tank	1
2	110005485	Valve complete Mix 10	1
2	0603102	Valve complete Mix 25	1
3	110002403	Non return valve 1 1/4"	1
4	313600	Level switch	4
5	603700	O-ring for pump coupling	2
6	110006196	Controller for MIX25	1
7	110006766	Dosing Pump AF Mix 10 1-5%	1
7	110006767	Dosing Pump VF Mix 10 1-5%	1
7	110006768	Dosing Pump AF Mix 10 0,2-2%	1
7	110006769	Dosing Pump VF Mix 10 0,2-2%	1
7	110002927	Dosing Pump AF Mix 10 0,03-0,3%	1
7	110004245	Dosing Pump VF Mix 10 0,03-0,3%	1
7	110002401	Dosing Pump Mix 25 AF 1-5%	1
7	110002665	Dosing Pump Mix 25 VF 1-5%	1
7	110003647	Dosing Pump Mix 25 AF 0,2-2%	1
7	110003657	Dosing Pump Mix 25 VF 0,2-2%	1
8	110003035	Hose nippel with union	1
9	359988	Ball valve	1
10	110006770	Pump CRNE 5-6/4,0 kW for Mix	1
11	110000573	Plug 1/4"	2
12	110005479	Pressure transmitter kit	1

Flow Diagram Mixing Station



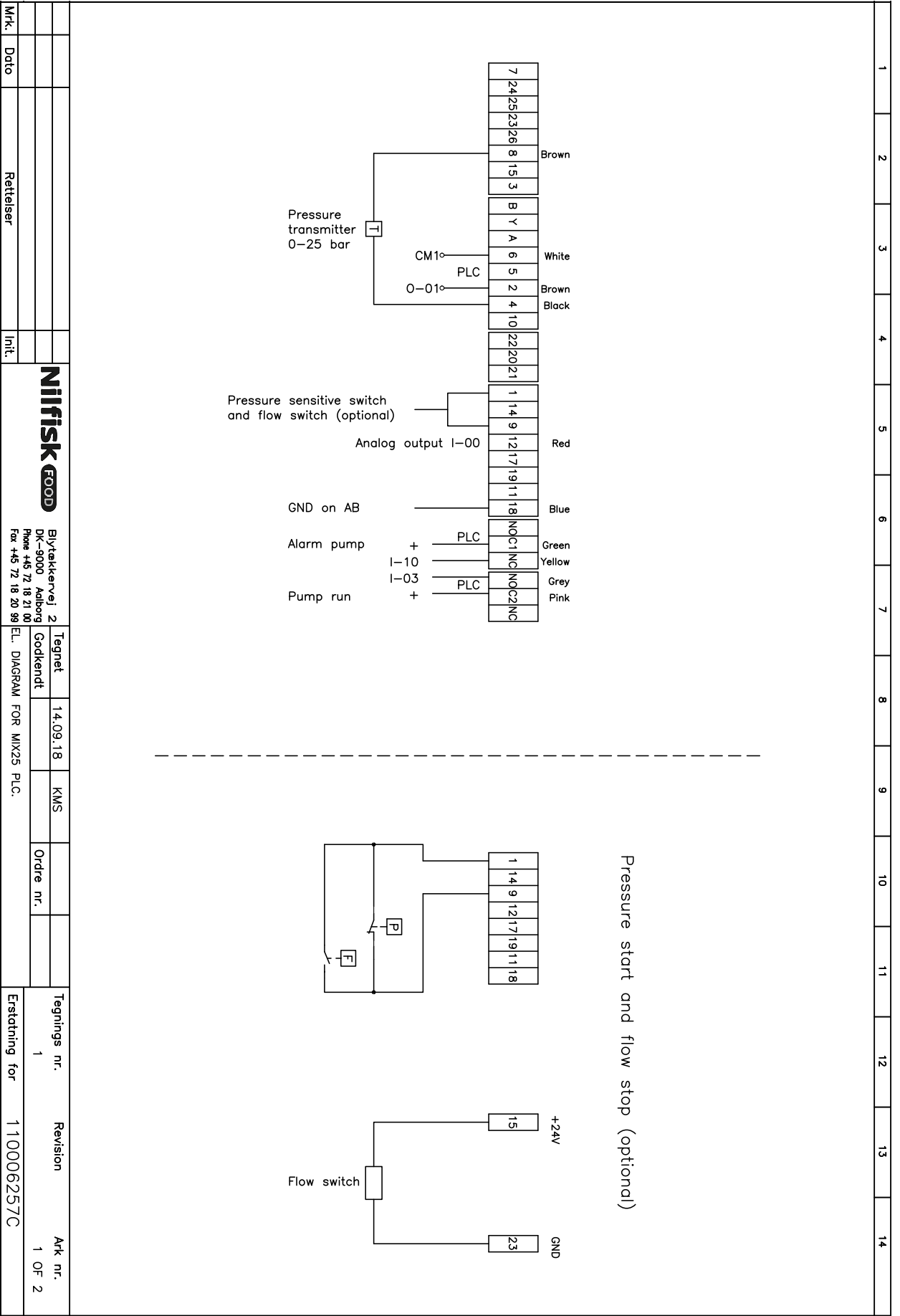
1. Controller
2. Dosing pump
3. Ball valve w. actuator and solenoid
4. Tank for detergent
5. Tank for pre-diluted detergent
6. Level sensors
7. Ball valve
8. Pump
9. Non return valve
10. Pressure transmitter

EI Diagram



Mrk.	Dato	Rettelser	Int.
NIFISK FOOD			
Biytærkervej 2 DK-9000 Aalborg Phone +45 72 18 21 00 Fax +45 72 18 20 99		Tegnet 14.09.18 Godkendt KMS Order nr.	
EL. DIAGRAM FOR MIX25 PLC.		Tegnings nr. 1 Revision 1 Atk. nr. 1 OF 2	
Erstatning for 110006257C			

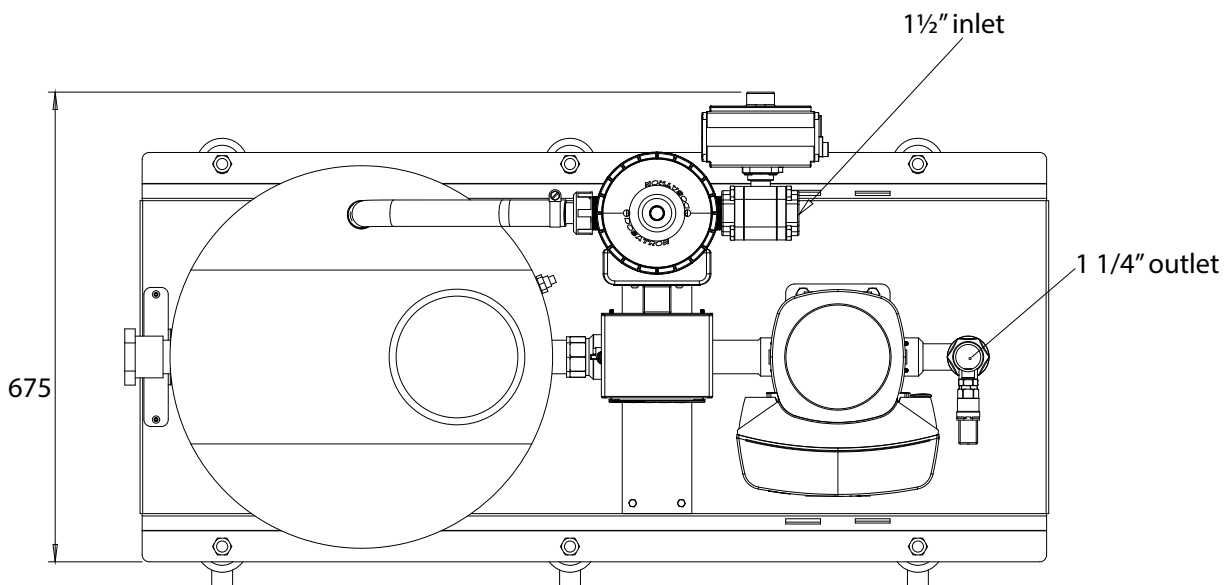
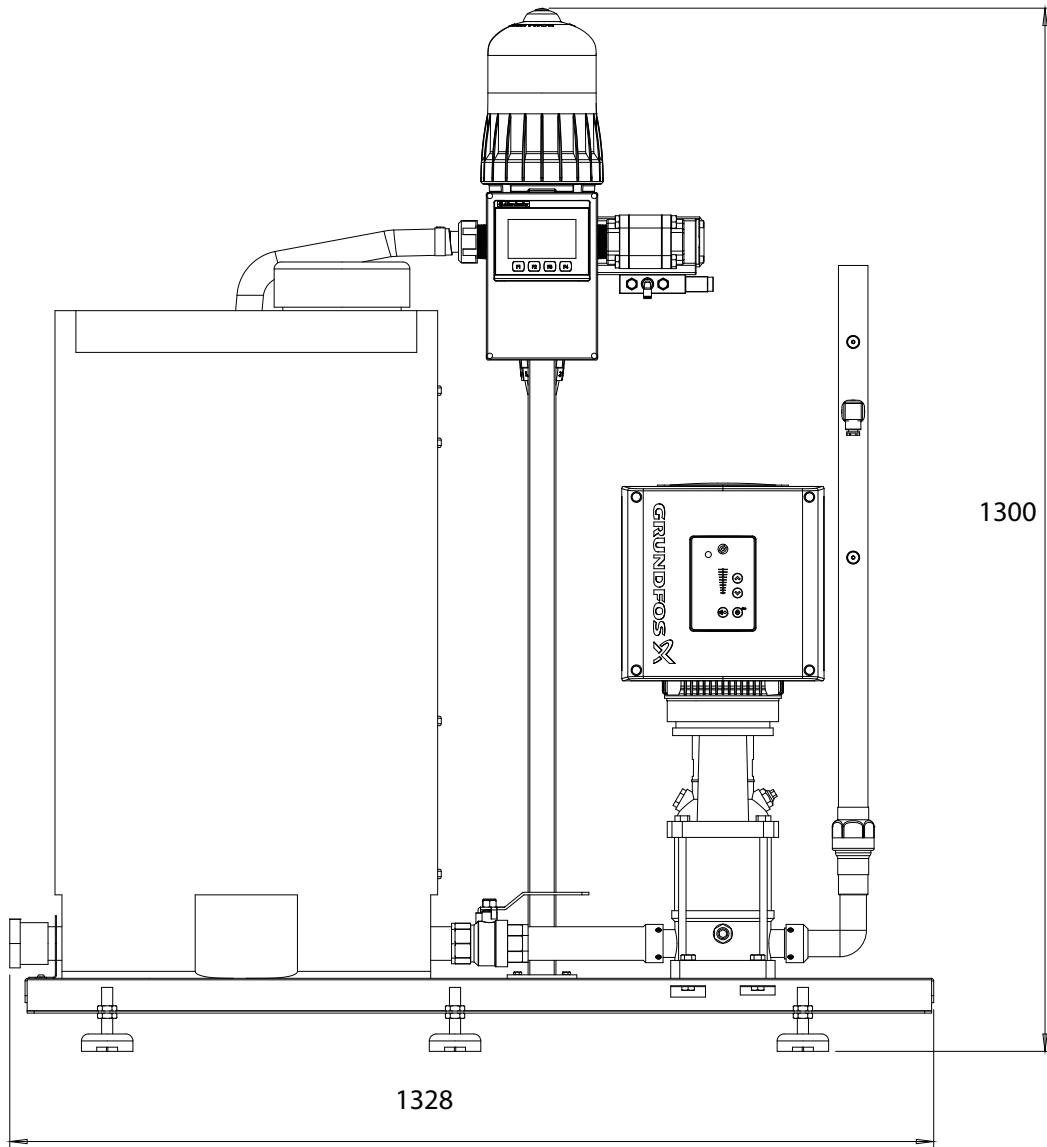
110006257-1



1 2 3 4 5 6 7 8 9 10 11 12 13 14

Mrk.	Dato	Retfælses	Init.
NIIFISK FOOD			
Blytækkervej 2 DK-9000 Aalborg Phone +45 72 18 21 00 Fax +45 72 18 20 99			
El. DIAGRAM FOR MIX25 PLC.			
Tegnet	14.09.18	KMS	
Godkendt			
Ordre nr.			
Tegnings nr.	1	Revision	Ark nr.
Ersatning for	110006257C		1 OF 2

Mounting Mixing station



119000599_2

Nilfisk **FOOD**

No.: 110006302D 09/2019
Serial no: 140.02.000XXX

Printed in Denmark